

SDW White Son



SDW-TG 50W GX12-1

Product Description

- Range of high-efficiency, discharge lamps with warm color to be used in small, open luminaires designed around MASTERColour CDM-T lamps

Product Features

- Warm white color impression, very good color rendering, especially superb red rendition
- Lamp design is well-suited to be used in luminaires for MASTERColour CDM-T power-spots
- UV-block for reducing fading risks

Product Benefits

- Exceptional brightness and color rendering especially of warm colors, e.g. red and gold
- High lamp efficacy results in low operating costs and low heat generation
- Long lamp life compared with incandescent and halogen lamps

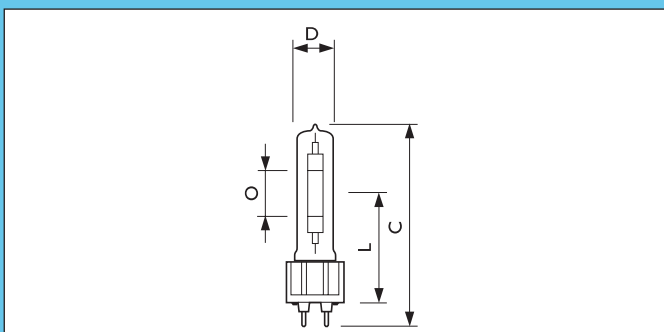
Application

- Shop lighting (create cosy atmosphere e.g. in furniture shops), excellent display of fresh goods (at butchers, bakeries, flower-shops)

System

- Must be used in combination special Philips electronic gear to avoid color shift. Not designed to be used in combination with ballast and color control (CSLS) unit

Dimensions in mm



	Overall length	Diameter	Light center length	Arc length
Product ID	C max.	D max.	L nom.	O nom.
50W	103	20	56	14
100W	110	20	56	18

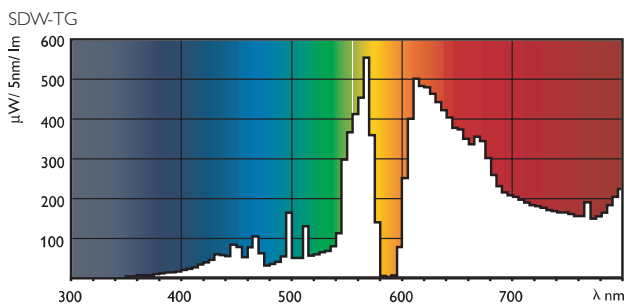
Preferred selection

Product ID	Lamp Wattage EL (W)	Lamp Current EL (A)	System Power EL (W)	Lamp Voltage (V)	Cap Base	Color Temperature (K)	Color Rendering Index (R _a)
MASTER SDW-TG 50W/825 GX12-1 1CT	54	0.65	62	85	GX12-1	2550	81
MASTER SDW-TG 100W/825 GX12-1 1CT	99	1.10	112	91	GX12-1	2550	83

Product ID	Chromaticity Coordinate X	Chromaticity Coordinate Y	Bulb Finish	Luminous Flux Lamp (lm)	Luminous Efficacy Lamp (lm/W)	Operating Position	Ignition Peak Voltage
MASTER SDW-TG 50W/825 GX12-1 1CT	468	408	Clear	2400	44	ANY	4000
MASTER SDW-TG 100W/825 GX12-1 1CT	469	406	Clear	4900	50	ANY	4000

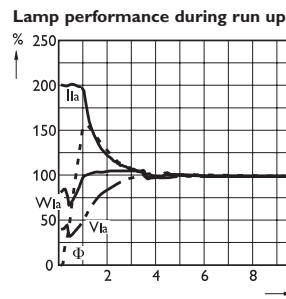
Product ID	Ignition Time max. (sec)	Run-up Time 90% max. (min)	Cap-Base Temperature max. (°C)	Bulb Temperature max. (°C)	Pinch Temperature max. (°C)	Net Weight Product (gr)
MASTER SDW-TG 50W/825 GX12-1 1CT	60	2	280	500	350	28
MASTER SDW-TG 100W/825 GX12-1 1CT	60	2	280	650	350	35

Spectral power distribution

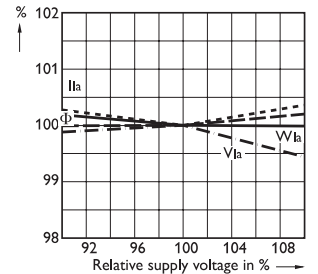


Performance diagrams

MASTERColour SDW-TG



Effects of mains voltage variations



- I_{la} = Lamp current
- Φ = Luminous Flux
- V_{la} = Lamp Voltage
- W_{la} = Lamp Wattage