

MASTER City white



CPO-TW 140W PGZ12

MASTER CosmoPolis CPO-T White

Product Description

- New-generation ceramic metal halide lamps for outdoor lighting with white light, using a new lamp base and clear quartz outer bulb

Product Features

- Extreme high energy efficiency
- Unique new burner design and positioning in combination with best lamp fixation (PGZ12)
- Compact size: 50% smaller than SON/HPL systems
- New electronic gear platform meets the most demanding public lighting requirements

Product Benefits

- Attractive white light
- Best optical efficacy allows greater spacing between luminaires, thereby reducing investment
- Highest energy saving and lowest cost of ownership
- Lower our energy cost with 10-150% compared with today's light sources for outdoor applications
- Compact size & unique burner shape allows optimized optic and luminaire design
- Optimal lamp service lifetime and energy savings initially and over lifetime
- Robust, dedicated outdoor electronic Xtreme gear for long and reliable operation, ensuring future-proof outdoor installation lamp for simple upgrade from yellow to white light

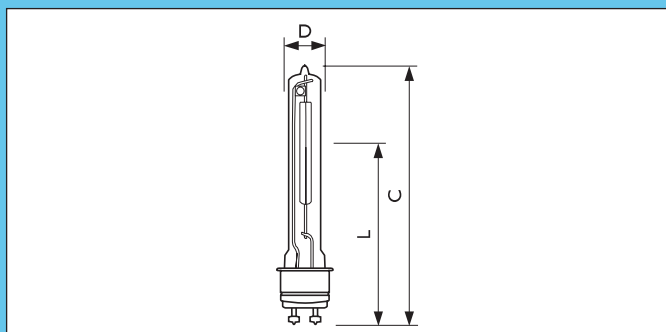
Application

- Urban Public Lighting for city centers, residential areas and roads

System

- Designed for use with electronic gear only
- Lamps and gear developed together to ensure optimal system operation for:
 - Lowest system energy initially and over lifetime
 - Robust, long-life outdoor-proof installation (lightning strike and peak voltage protection)

Dimensions in mm



	Overall length	Width	Light center length
Product ID	C max.	D max.	L max.
60W	128	19	59
140W	143	19	66

Preferred selection

Product ID	Rated Lamp Wattage (W)	Lamp Wattage EM (W)	Lamp Current EM/CuFe (A)	Lamp Voltage (V)	Mains Voltage Stable Operation (V)	Cap Base	Color Temperature (K)
MASTER Cosmo CPO-T White 60W/728 PGZ12	60	60	0.652	92	200	PGZ12	2730
MASTER Cosmo CPO-T White 140W/728 PGZ12	140	140	1.490	94	200	PGZ12	2860

Product ID	Color Rendering Index (R _a)	Chromaticity Coordinate X	Chromaticity Coordinate Y	Bulb Finish	Luminous Flux Lamp EM/CuFe (lm)	Luminous Efficacy Lamp EM (lm/W)
MASTER Cosmo CPO-T White 60W/728 PGZ12	66	453	402	Clear	6800	114
MASTER Cosmo CPO-T White 140W/728 PGZ12	66	444	401	Clear	16500	118

Product ID	Cap-Base Temperature (C)	Bulb Temperature (C)	Ignition Peak Voltage (V)	Ignition Supply Voltage (V)	Nett Weight Product In Grams (gr)
MASTER Cosmo CPO-T White 60W/728 PGZ12	300	400	5000	160	34
MASTER Cosmo CPO-T White 140W/728 PGZ12	300	550	5000	160	40

