

Spotone Ring Mirror Standard

**Reflector  
(NR/R/PAR/E/A/P/PC-Shape)**



REF STD E27 E80

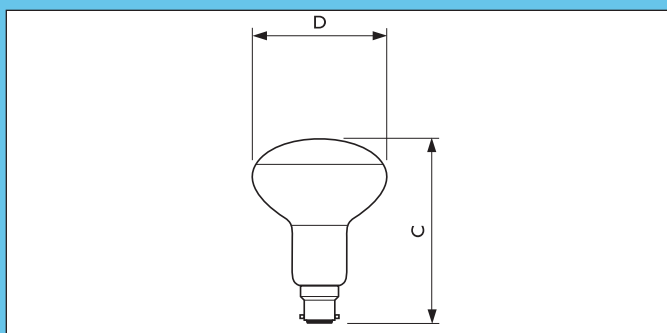


REF STD E14 R39



REF STD B22 E80

Dimensions in mm



**Product Description**

- Normal incandescent lamps with an internal ring-shaped parabolic aluminium mirror behind the filament

**Product Feature**

- Blown glass bulb with clear or frosted front
- Satin frosted version produces a soft, diffuse light
- Lamp is designed to achieve brilliant indoor lighting effects

**Product Benefit**

- Beam spread and luminous intensity make these lamps especially suitable wherever space is limited and in small luminaires

**Application**

- Homes, shops, shop windows and displays, restaurants, hotels, exhibitions, bars and night clubs

Product ID	Overall length	Diameter
	C max.	D max.
E80 B22	113.0	80
R39 E14	67.0	39
E80 E27	114.5	80

Preferred selection

Product ID	Rated Lamp Wattage [W]	Voltage	Beam Angle	Bulb	Bulb Finish	Luminous Intensity [cd]	Average Life Time [hrs]
Reflector 30W E14 230V R39 45D 1CT	30	230	45D	R39	Frosted	160	1000
Reflector 30W E14 240-250V R39 45D 1CT	30	240-250	45D	R39	Frosted	160	1000
Reflector 60W E27 240V E80 80D 1CT	60	240	80D	E80	Frosted	270	1000
Reflector 75W E27 240V E80 80D 1CT	75	240	80D	E80	Frosted	360	1000
Reflector 100W E27 230V E80 80D 1CT	100	240	80D	E80	Frosted	530	1000
Reflector 100W E27 240V E80 80D 1CT	100	240	80D	E80	Frosted	530	1000
Spotone 60W B22 240V E80 80D 1CT	60	240	80D	E80	Frosted	270	1000
Spotone 60W E27 240V E80 80D 1CT	60	240	80D	E80	Frosted	270	1000
Spotone 75W E27 240V E80 80D 1CT	75	240	80D	E80	Frosted	360	1000
Spotone 100W E27 240V E80 80D 1CT	100	240	80D	E80	Frosted	530	1000