

## Reflector (NR/R/PAR/E/A/P/PC-Shape)



PAR56 GX16d FL



PAR56 GX16d SP

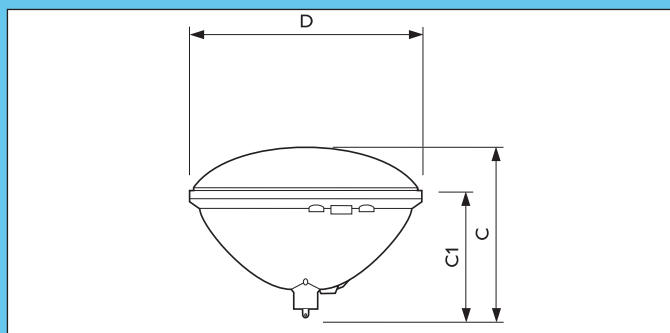


PAR56 GX16d WFL



PAR56 UW

Dimensions in mm



### Product Description

- Extremely powerful pressed-glass 179 mm diameter reflector lamps

### Product Feature

- Made of heat-resistant glass
- Special sturdy, shock-resistant 12V version available for underwater applications
- 12V lamp has screw terminals for secure connection because of the high running current (25A)

### Product Benefit

- For indoor and outdoor use wherever high illuminance levels are required

### Application

- Spot versions are designed for long-distance beaming
- Flood and Wide Flood versions are mainly used for high mounting applications
- Displays, museums, public and commercial buildings, towers, churches, high-roofed halls, sports halls, garden lighting, exhibitions
- PAR56 Underwater: swimming pools and fountains, or wherever extra-low-voltage lamps are required for safety

### Luminaires

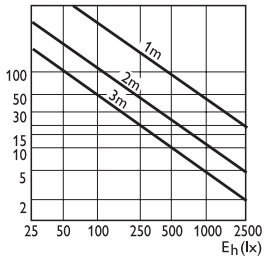
- For outdoor use, lamps should be protected from water splashes by a glass-covered, well gasketed housing

Product ID	Overall length	Diameter
	C max.	D max.
300W GX16d	127.5	179
300W Multipurpose	127.5	179

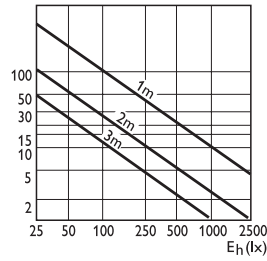
Preferred selection

Product ID	Rated Lamp Wattage [W]	Cap Base	Voltage [V]	Bulb	Beam Description	Beam Angle	Luminous Intensity [cd]	Average Life Time [hrs]	Nett Weight Product In Grams [gr]
PAR56 300W GX16d 230V PAR56 FL -	300	GX16d	230	PAR56	Flood	25	22000	2000	560
PAR56 300W GX16d 230V PAR56 SP -	300	GX16d	230	PAR56	Spot	12	40000	2000	560
PAR56 300W GX16d 230V PAR56 WFL -	300	GX16d	230	PAR56	Wide Flood	40	9000	2000	560
PAR56 300W GX16d 240V PAR56 FL -	300	GX16d	240	PAR56	Flood	25	22000	2000	560
PAR56 300W GX16d 240V PAR56 SP -	300	GX16d	240	PAR56	Spot	12	40000	2000	560
PAR56 300W GX16d 240V PAR56 WFL -	300	GX16d	240	PAR56	Wide Flood	40	9000	2000	560
PAR56 300W Multipurpose 12V PAR56 - UW	300	Multipurpose	12	PAR56	-	40	16000	1500	560

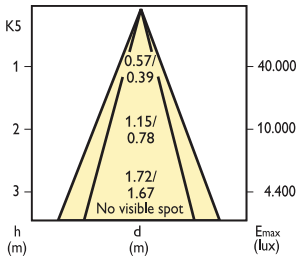
PAR56 SP



PAR56 WFL



PAR56 SP



PAR56 WFL

