

## Candle (B-Shape)



CAN SOFT B22 B35 SW

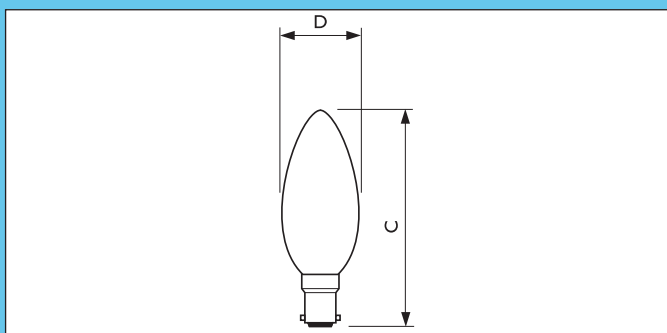


CAN SOFT E14 B35 SW



CAN SOFT B15 B35 SW

Dimensions in mm



## Softone Candle

### Product Description

- Flame-shaped gas-filled glass bulb

### Product Feature

- Gives a delicate, glare-free light in a subtle white
- Universal burning position except for 60W which must be operated vertically, base-down (tolerance 90°)

### Product Benefit

- Adds a new dimension to interior decoration
- Creates a pleasant, relaxed atmosphere with a high degree of visual comfort

### Application

- Ideal replacement for standard candle lamps, particularly in chandeliers and ornamental wall brackets
- Suitable for a wide variety of decorative lighting situations
- Home use in living and dining rooms and bedrooms
- Hotel lounges, restaurants, bedrooms, halls, conference rooms and foyers
- Clubs and social areas
- Ballrooms

Product ID	Overall length	Diameter
	C max.	D max.
25W E14	100.0	35.0
25W B15	98.5	36.35
25W B22	94.5	36.35
40W B15	98.5	36.35
40W B22	94.5	36.35

Preferred selection

Product ID	Rated Lamp Wattage [W]	Cap Base	Voltage [V]	Bulb	Bulb Finish	Luminous Flux Lamp [lm]	Average Life Time [hrs]
Softone 25W B15 240V B35 SW 2BL	25	B15	240	B35	Soft White	190	1000
Softone 25W B22 240V B35 SW 2BL	25	B22	240	B35	Soft White	180	1000
Softone 25W E14 230V B35 SW 1CT	25	E14	230	B35	Soft White	195	1000
Softone 25W E27 230V B35 SW 1CT	25	E27	230	B35	Soft White	195	1000
Softone 40W B15 240V B35 SW 2BL	40	B15	240	B35	Soft White	360	1000
Softone 40W B22 240V B35 SW 2BL	40	B22	240	B35	Soft White	345	1000