

## Reflector (NR/R/PAR/E/A/P/PC-Shape)



PAR38COL E26/E27 RE



PAR38COL E26/E27 GR

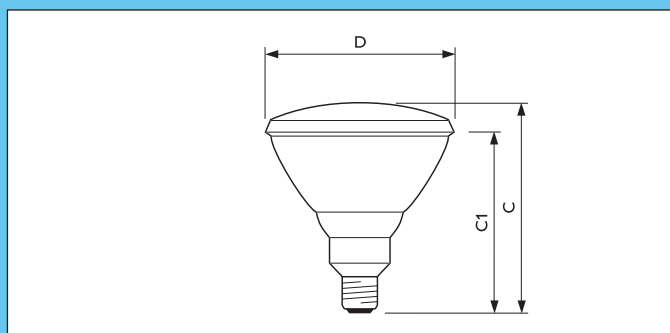


PAR38COL E26/E27 BL



PAR38COL E26/E27 YE

Dimensions in mm



## Partytone PAR38 Color

### Product Description

- Colored pressed-glass 121 mm diameter reflector lamp

### Product Feature

- Weatherproof silicon lacquer coating on the refractor face in a choice of colors
- Flood beam width

### Product Benefit

- Gives striking decorative effects, both indoors and outdoors
- 20% lower power consumption compared with conventional colored PAR lamps

### Application

- Parks, public and private gardens
- Festive illumination
- Restaurants, bars, dance halls, nightclubs
- Show-window displays, fountains and 'Son et Lumiere' spectacles
- Can be installed outdoors without any protection, provided they are used in a watertight lampholder
- For outdoor use, a heat-resistant rubber ring must be fitted between the lamp and the lampholder

Product ID	Overall length	Diameter
	C max.	D max.
80W E27	137	122.5

**Preferred selection**

Product ID	Rated Lamp Wattage [W]	Cap Base	Voltage [V]	Bulb	Bulb Finish	Average Life Time [hrs]	Nett Weight Product In Grams [gr]
Partytone 80W E27 230V PAR38 BL 1CT	80	E27	230	PAR38	Blue	2000	308
Partytone 80W E27 230V PAR38 GR 1CT	80	E27	230	PAR38	Green	2000	308
Partytone 80W E27 230V PAR38 RE 1CT	80	E27	230	PAR38	Red	2000	308
Partytone 80W E27 230V PAR38 YE 1CT	80	E27	230	PAR38	Yellow	2000	308
Partytone 80W E27 240V PAR38 BL 1CT	80	E27	240	PAR38	Blue	2000	308
Partytone 80W E27 240V PAR38 GR 1CT	80	E27	240	PAR38	Green	2000	308
Partytone 80W E27 240V PAR38 RE 1CT	80	E27	240	PAR38	Red	2000	308
Partytone 80W E27 240V PAR38 YE 1CT	80	E27	240	PAR38	Yellow	2000	308