

SOX Low pressure sodium

SOX



SOX

Product Description

- Low Pressure Sodium lamp

Product Feature

- Uniform sodium distribution in the discharge tube by means of dimples for a more stable discharge, higher efficacy and better lumen maintenance and lamp life
- Monochromatic yellow color with non-existent color rendering

Product Benefits

- High luminous efficacy leads to low energy consumption

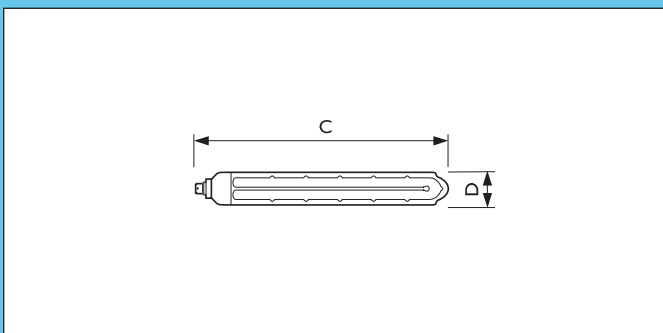
Application

- Road lighting, railway marshalling yards and crossings, airports, harbours and docks, quarries, foundries and rolling mills
- Security and orientation lighting

System

- On HF electronic gear SOX have even higher efficacy, saving up to 40% (system) energy

Dimensions in mm



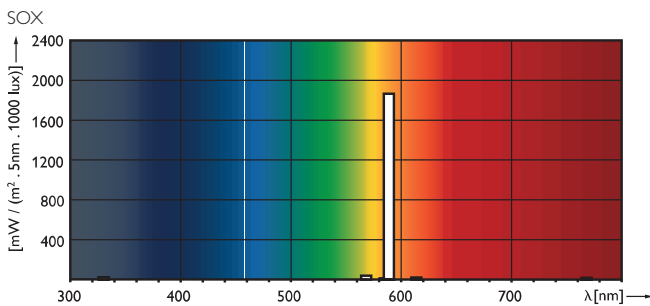
Product ID	Overall length	Diameter
	C max.	D max.
35W	311	52
55W	425	52
90W	528	66
135W	775	66
180W	1120	66

Preferred selection

Product ID	Rated Lamp Wattage (W)	Lamp Current (A)	Lamp Voltage (V)	Cap Base	Luminous Flux Lamp EM/CuFe (lm)	Luminous Efficacy Lamp EM (lm/W)
SOX Pro 35W BY22d SLV	35	0.60	70	BY22d	4550	129
SOX Pro 55W BY22d SLV	55	0.59	109	BY22d	7800	140
SOX Pro 90W BY22d SLV	90	0.92	112	BY22d	13700	154
SOX Pro 135W BY22d SLV	135	0.95	164	BY22d	22600	167
SOX Pro 180W BY22d SLV	180	0.91	240	BY22d	32000	176

Product ID	Operating Position	Cap-Base Temperature (C)	Bulb Temperature (C)	Nett Weight Product In Grams (gr)
SOX Pro 35W BY22d SLV	H110	150	150	222
SOX Pro 55W BY22d SLV	H110	150	150	303
SOX Pro 90W BY22d SLV	P20	150	150	493
SOX Pro 135W BY22d SLV	P20	150	150	717
SOX Pro 180W BY22d SLV	P20	150	150	1044

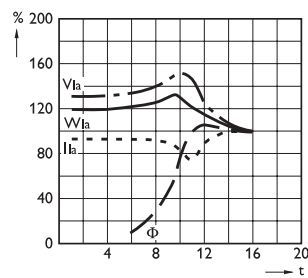
Spectral power distribution



Performance diagrams

SOX Pro

Lamp performance during run up



I_{la} = Lamp current
 Φ = Luminous Flux
 V_{la} = Lamp Voltage
 W_{la} = Lamp Wattage

Effects of mains voltage variations

