

SOX Low pressure sodium



SOX E

Product Description

- Low Pressure Sodium lamp with improved efficacy

Product Feature

- Uniform sodium distribution in the discharge tube by means of dimples for a more stable discharge, higher efficacy and better lumen maintenance and lamp life
- Special coating of SOX-E outer tube results in higher lamp efficacy than SOX
- Monochromatic yellow color with non-existent color rendering

Product Benefit

- Extremely high luminous efficacy makes these the most efficient light sources

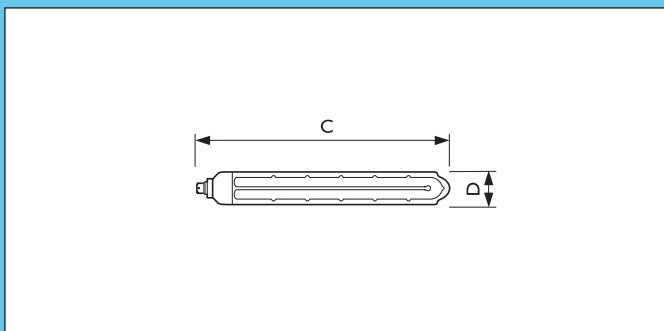
Application

- Road lighting, railway marshalling yards and crossings, airports, harbours and docks, quarries, foundries and rolling mills
- Security and orientation lighting

System

- On HF electronic gear SOX-E have even higher efficacy, saving up to 40% (system) energy

Dimensions in mm



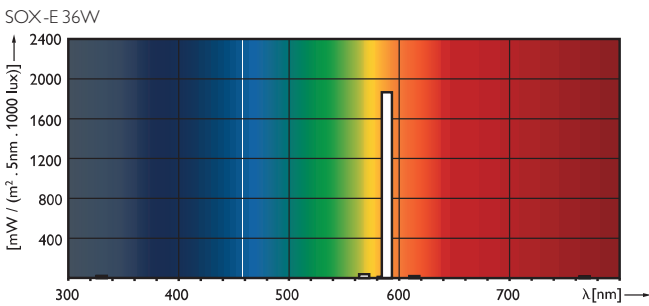
Product ID	Overall length	Diameter
	C max.	D max.
18W	216	52
26W	311	52
36W	426	52
66W	528	66
91W	775	66
131W	1120	66

Preferred selection

Product ID	Rated Lamp Wattage (W)	Lamp Current EM/CuFe (A)	Lamp Voltage (V)	Luminous Flux Lamp EM/CuFe (lm)	Luminous Efficacy Lamp EM (lm/W)
MASTER SOX-E 18W BY22d SLV	18	0.35	57	1800	100
MASTER SOX-E 26W BY22d SLV	26	0.45	69	3600	140
MASTER SOX-E 36W BY22d SLV	36	0.35	120	6200	160
MASTER SOX-E 66W BY22d SLV	66	0.62	123	10500	165
MASTER SOX-E 91W BY22d SLV	91	0.62	173	17500	189
MASTER SOX-E 131W BY22d SLV	131	0.62	250	26200	203

Product ID	Cap-Base Temperature (C)	Bulb Temperature (C)	Cap Base	Nett Weight Product In Grams (gr)
MASTER SOX-E 18W BY22d SLV	150	150	BY22d	150
MASTER SOX-E 26W BY22d SLV	150	150	BY22d	222
MASTER SOX-E 36W BY22d SLV	150	150	BY22d	303
MASTER SOX-E 66W BY22d SLV	150	150	BY22d	493
MASTER SOX-E 91W BY22d SLV	150	150	BY22d	717
MASTER SOX-E 131W BY22d SLV	150	150	BY22d	1044

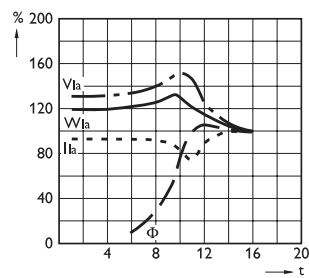
Spectral power distribution



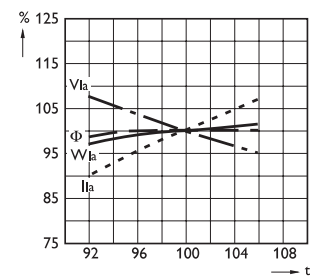
Performance diagrams

SOX-E

Lamp performance during run up



Effects of mains voltage variations



- I_{la} = Lamp current
- Φ = Luminous Flux
- V_{la} = Lamp Voltage
- W_{la} = Lamp Wattage