

## MV without reflector

Plusline Pro Large



DEBig R7s

### Product Description

- Mains-voltage linear with a coiled-coil filament, giving white halogen light

### Product Feature

- Double-ended high-efficacy lamps
- Clear tubular quartz bulb
- Reinforced filament supports for maximum safety and shock resistance resulting in longer lifetime
- Two arc-preventing fuses for greater safety
- Limited burning position:  $\pm 4^\circ$
- Excellent color rendering
- Constant light output during life

### Product Benefit

- 20% more light than ordinary double-ended
- Long lifetime
- Safe in use

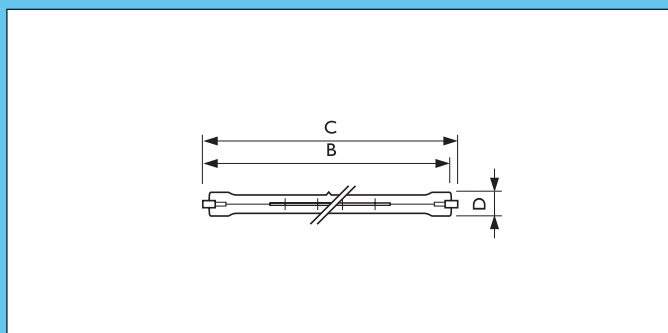
### Application

- Typically used in outdoor applications: billboards, car parks, security lighting and construction sites
- Also used in Indoor applications: homes, offices, shops and museums

### Luminaires

- Must be used in luminaires with a front cover glass

Dimensions in mm



Product ID	Insertion length	Overall length	Diameter
	B nom.	C max.	D max.
1000W	185.7	189.1	11
1500W	250.7	254.1	11

### Preferred selection

Product ID	Rated Lamp Wattage [W]	Voltage [V]	Cap/ Base	Luminous Flux Lamp [lm]	Life to 50% Failures [hrs]
Plusline Pro Large	1000W	230V	R7s	24200	2000
Plusline Pro Large	1500W	230V	R7s	36300	2000