

## MV with reflector

## PAR38 HalogenA

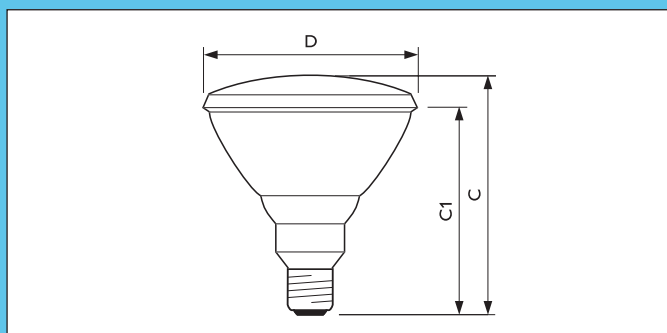


PAR38 10D



PAR38 30D

Dimensions in mm

**Product Description**

- Mains-voltage 123 mm diameter reflector lamp

**Product Feature**

- Hard-glass halogen burner (linear filament) optically positioned in a parabolic, aluminium-coated pressed-glass reflector (PAR)
- Natural color rendering
- Cool halogen type of beam color appearance
- Good luminous efficacy
- Long life (3 times the lifetime of a normal incandescent lamp)
- Spot versions have slightly stippled front glass to emphasise the sparkling reflector
- Flood versions have a faceted front glass to prevent glare and ensure a homogeneous beam distribution
- Front glass protects the lamp for safety and prevents touching and dust deposits

**Product Benefit**

- Bright, sparkling halogen light combined with a 3x higher lifetime, giving better light at lower costs
- Convenient halogen solutions that fit in standard, existing luminaires
- Equipped with E27 lamp socket designed to retrofit PAR 38 incandescent reflector lamps

**Application**

- Accent and display lighting in shops
- Accent and task lighting in the home

**Luminaires**

- Can be used in any luminaire in which PAR38 incandescent lamps can be used
- Suitable for outdoor use
- The luminaire must have a waterproof connection (rubber ring) between the reflector and the luminaire

Product ID	Overall length	Diameter	Overall length
	C max.	D max.	L max.
75W	136	123	123.5
100W	136	123	123.5

#### Preferred selection

Product ID	Rated Lamp Wattage [W]	Voltage [V]	Cap Base	Luminous Flux Lamp [lm]	Life to 50% Failures [hrs]
Plusline Pro Compact	150W	230V	R7s	2550	2000