

MV with reflector

PAR30S HalogenA Pro



PAR30S 30D



PAR30S 10D

Product Description

- Mains-voltage 97 mm diameter reflector lamp

Product Feature

- Halogen burner optically positioned in a parabolic, aluminium-coated pressed-glass reflector (PAR)
- Natural color rendering
- Sparkling, crisp white halogen light
- Good luminous efficacy
- Long life (3 times the lifetime of a normal incandescent lamp)
- Spot versions have slightly stippled front glass to emphasise the sparkling reflector
- Flood versions have a faceted front glass to prevent glare and ensure a homogeneous beam distribution
- Front glass protects the lamp for safety and prevents touching and dust deposits

Product Benefit

- Bright, sparkling halogen light
- Convenient halogen solutions that fit in standard, existing luminaires

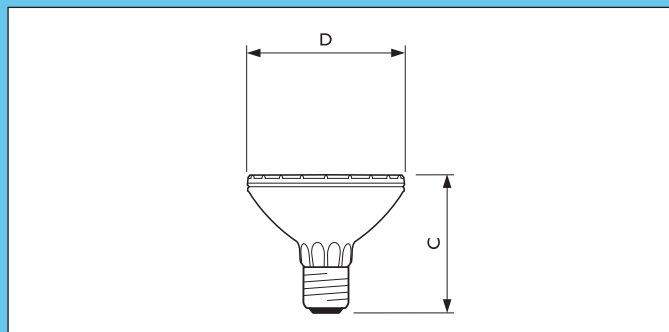
Application

- Typically used for accent and display lighting in shops, especially for premium goods
- Also used as general lighting in hotels, theaters and lobby areas

Luminaires

- For outdoor use, the lamp should be protected from direct water contact
- The luminaire must have a waterproof connection between the reflector and the luminaire

Dimensions in mm



Product ID	Overall length	Diameter
	C max.	D max.
75W	90.5	97

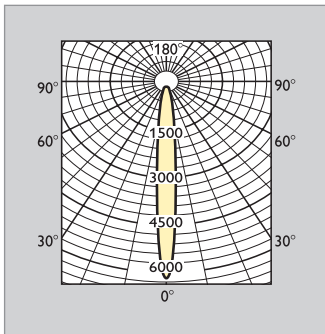
Preferred selection

Product ID	Rated Lamp Wattage [W]	Voltage [V]	Beam angle	Cap Base	Luminous Intensity [cd]	Life to 50% Failures [hrs]
PAR30S HalogenA Pro	75W	240V	10D	E27	5525	2000
PAR30S HalogenA Pro	75W	230V	30D	E27	1700	2000

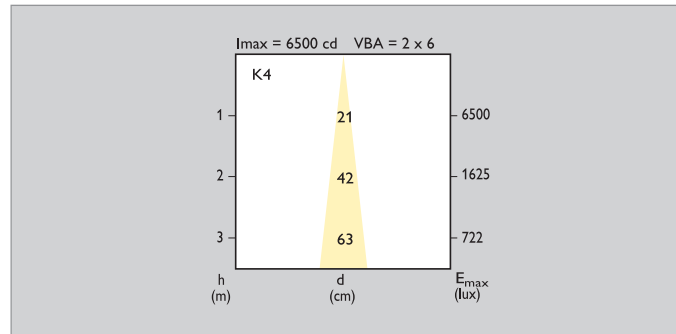
Photometric diagrams

PAR30S HalogenA Pro 75W E27 230V 10D

Light distribution curves

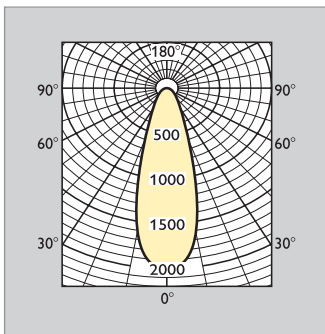


Beam diagram

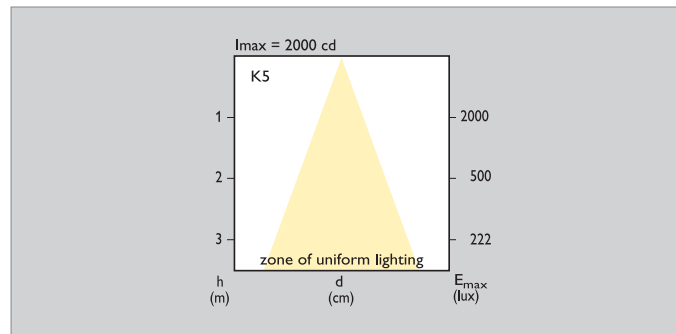


PAR30S HalogenA Pro 75W E27 230V 30D

Light distribution curves



Beam diagram



Accent diagram

