

## LV with reflector

## MASTER Line 111

New



ML 111 G53 R111

**Product Description**

- Low-voltage halogen reflector lamp with double-ended burner and high-purity aluminium reflector

**Product Feature**

- Unique infra-red coated burner technology
- Revolutionary compact, precision burner for maximum performance of the infra-red reflecting coating
- Ceramic filament shield reduces glare and improves beam shape
- Flat profile, very tight beam pattern and excellent glare control
- G53 socket and screw or tab terminals for direct wire connection with mating eyelet or receptacle
- UV block quartz glass

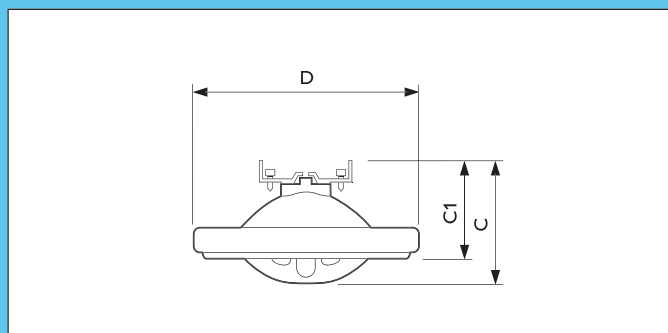
**Product Benefit**

- Glare free, well defined accent lighting with minimum amount of direct glare from the lamp
- Up to 40% lower energy costs compared to the Pro or equivalent versions of this lamp, thanks to improved burner efficacy (lm/W)
- Increased comfort and (where applicable) lower cooling costs because of up to 40% lower heat transmission
- Low maintenance costs due to increased lifetime (33% higher than Pro or equivalent versions)
- Lowest UV output compared to other versions of this lamps, reducing fading risks to absolute minimum

**Application**

- Excellent light source for general lighting and especially creative accent lighting in shops, restaurants, hotels, and especially for galleries, exhibitions and museums

Dimensions in mm



Product ID	Overall length	Overall length	Diameter
	C max.	C1 max.	D max.
35W	65	49	111
40W	65	49	111
60W	65	49	111

## Preferred selection

Product ID	Rated Lamp Wattage [W]	Voltage [V]	Beam angle	Cap Base	Luminous Intensity [cd]	Life to 50% Failures [hrs]
MASTER Line 111	30W	12V	8D	G53	23000	4000
MASTER Line 111	30W	12V	24D	G53	4000	4000
MASTER Line 111	45W	12V	8D	G53	33000	4000
MASTER Line 111	45W	12V	24D	G53	5300	4000
MASTER Line 111	45W	12V	45D	G53	1900	4000
MASTER Line 111	60W	12V	8D	G53	48000	4000
MASTER Line 111	60W	12V	24D	G53	8500	4000
MASTER Line 111	60W	12V	45D	G53	2800	4000

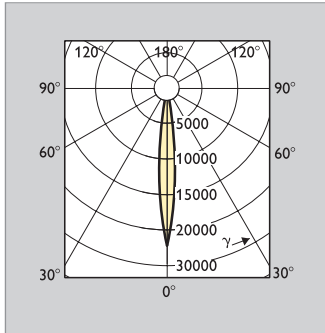
# LV with reflector

# MASTER Line 111

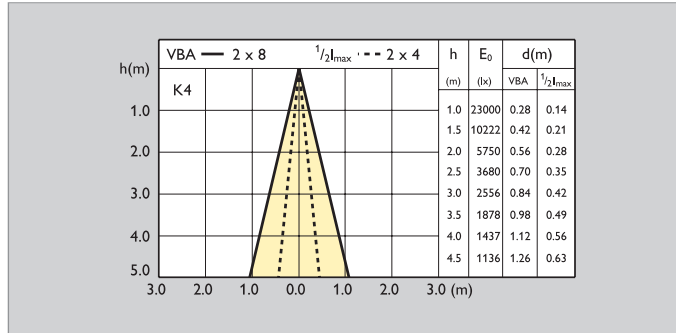
## Photometric diagrams

### MASTER Line 30W G53 R111 8D

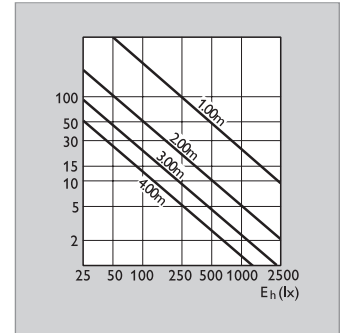
Light distribution curves



Beam diagram

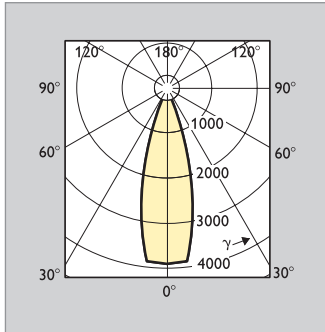


Accent diagram

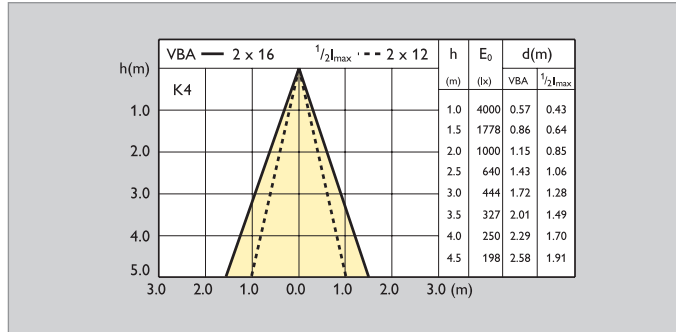


### MASTER Line 50W G53 R111 24D

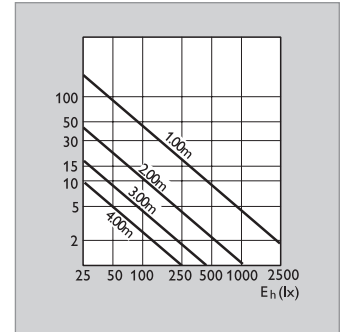
Light distribution curves



Beam diagram

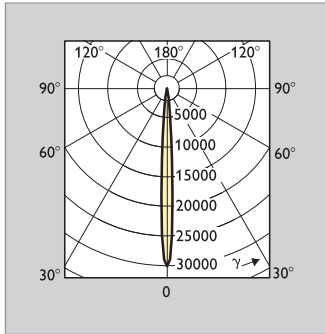


Accent diagram

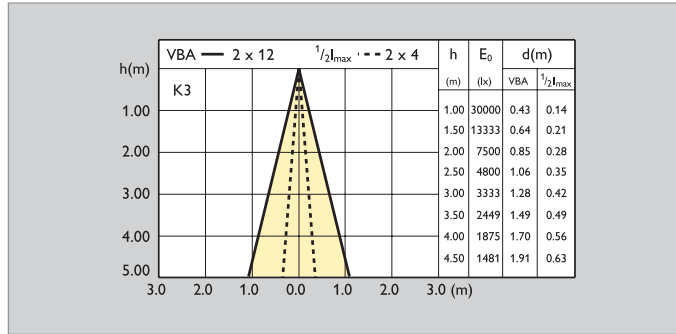


### MASTER Line 45W G53 R111 8D

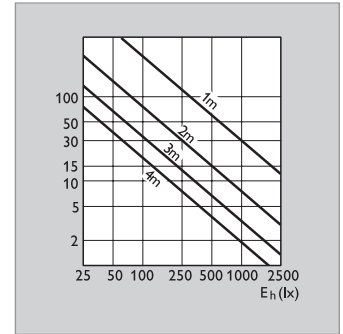
Light distribution curves



Beam diagram

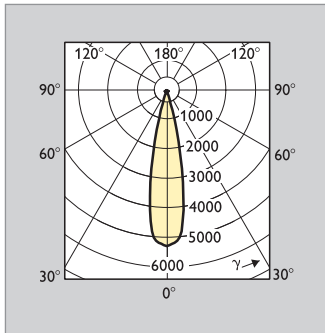


Accent diagram

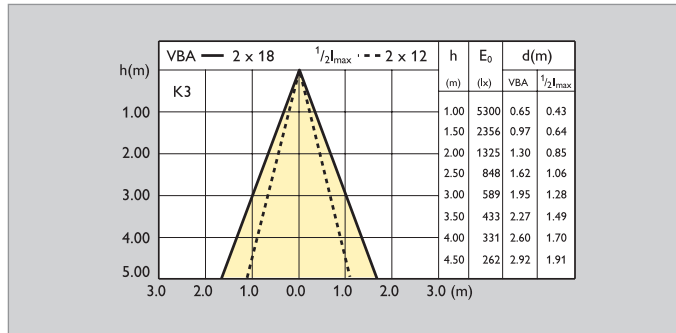


### MASTER Line 45W G53 R111 24D

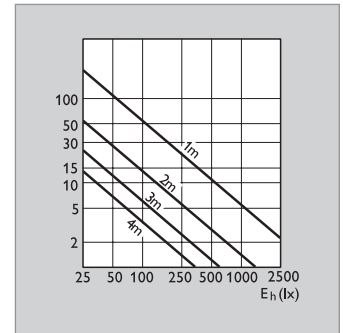
Light distribution curves



Beam diagram

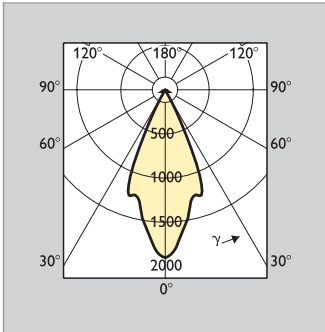


Accent diagram

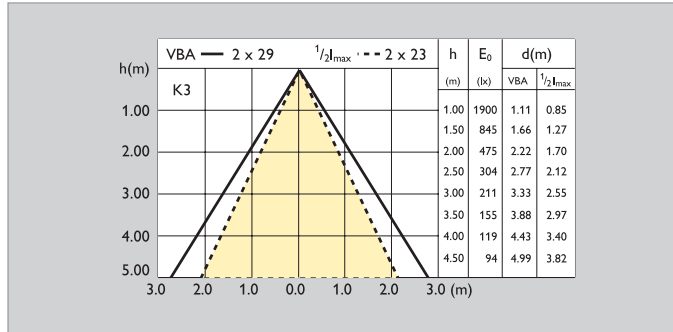


**MASTER Line 45W G53 R111 45D**

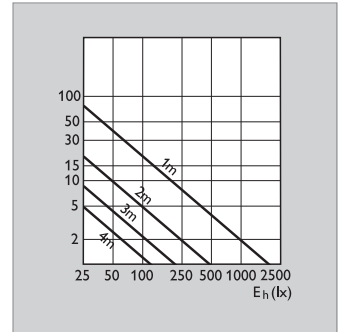
Light distribution curves



Beam diagram

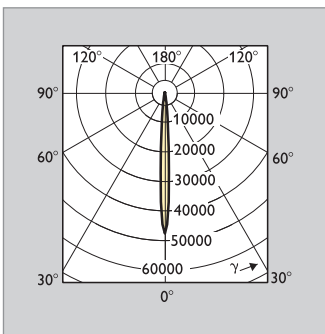


Accent diagram

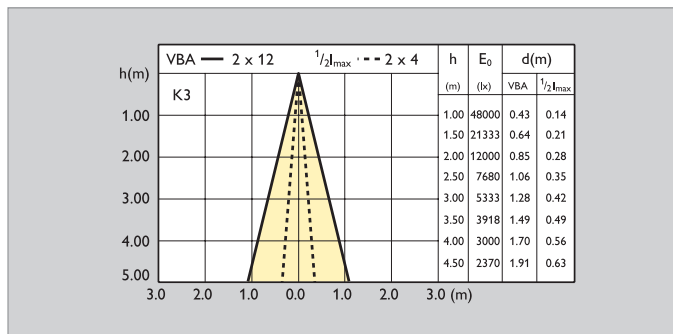


**MASTER Line 60W G53 R111 8D**

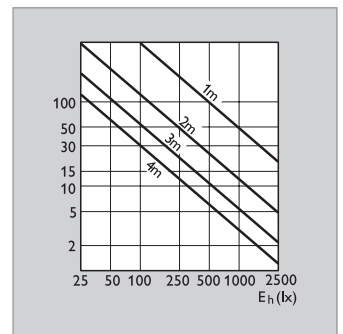
Light distribution curves



Beam diagram

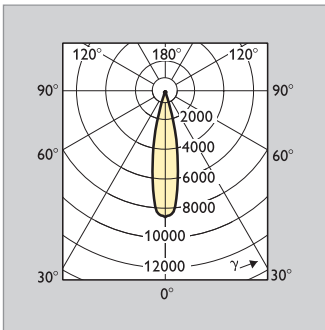


Accent diagram

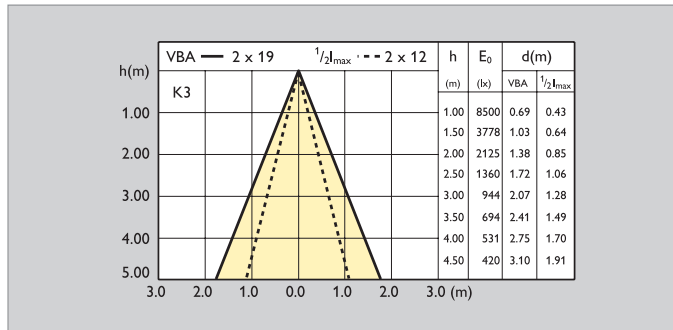


**MASTER Line 60W G53 R111 24D**

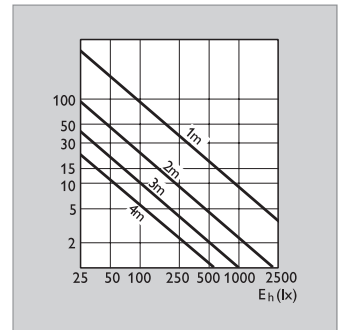
Light distribution curves



Beam diagram

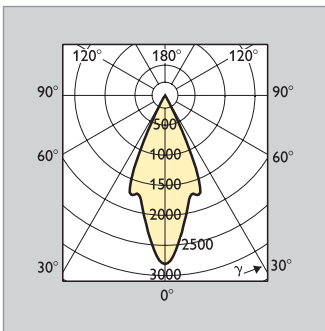


Accent diagram

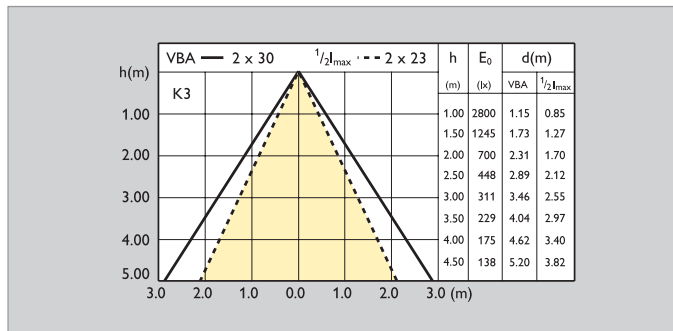


**MASTER Line 60W G53 R111 45D**

Light distribution curves



Beam diagram



Accent diagram

