

LV with reflector

Aluline Pro 111mm



ALU

Product Description

- Low-voltage halogen reflector lamp with high-purity aluminium reflector of 111 mm

Product Feature

- Metal cap to shield filament to reduce glare and improve beam shape
- G53 socket and screw or tab terminals allowing for direct wire connection with imating eyelet or receptacle
- UV-block quartz glass

Product Benefit

- Glare free, well defined accent lighting with minimum amount of direct glare from the lamp

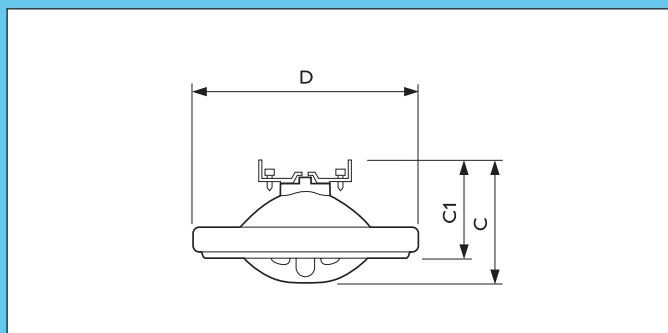
Application

- Excellent light source for general lighting and especially creative accent lighting in shops, restaurants, hotels, galleries, exhibitions and museums

Luminaires

- For use in open luminaires

Dimensions in mm



Product ID	Overall length	Overall length	Diameter
	C max.	C1 max.	D max.
50W	61	50	111
75W	61	50	111
100W	61	50	111

Preferred selection

Product ID	Rated Lamp Wattage [W]	Voltage [V]	Beam angle	Cap Base	Luminous Intensity [cd]	Life to 50% Failures [hrs]	Nett Weight Product In Grams [gr]
Aluline Pro	50W	12V	8	G53	23000	3000	60
Aluline Pro	50W	12V	24	G53	4000	3000	60
Aluline Pro	75W	12V	8	G53	30000	3000	60
Aluline Pro	75W	12V	24	G53	5300	3000	60
Aluline Pro	75W	12V	45	G53	-	3000	60
Aluline Pro	100W	12V	8	G53	48000	3000	60
Aluline Pro	100W	12V	24	G53	8500	3000	60
Aluline Pro	100W	12V	45	G53	-	3000	60

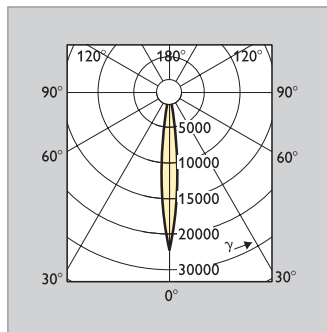
LV with reflector

Aluline Pro 111mm

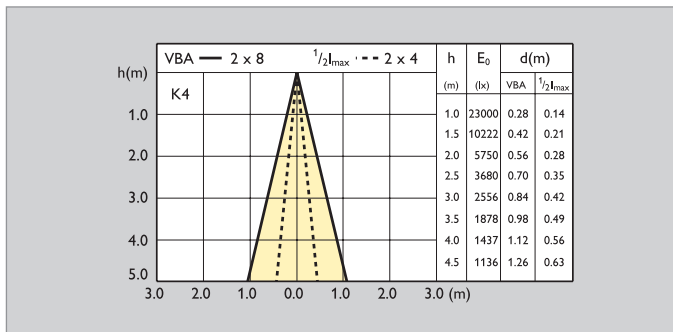
Photometric diagrams

Aluline Pro 50W G53 R111 8D

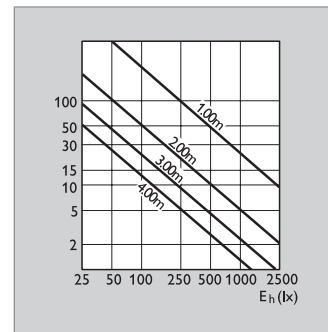
Light distribution curves



Beam diagram

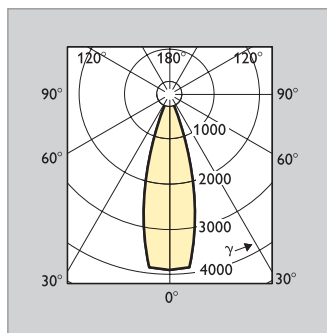


Accent diagram

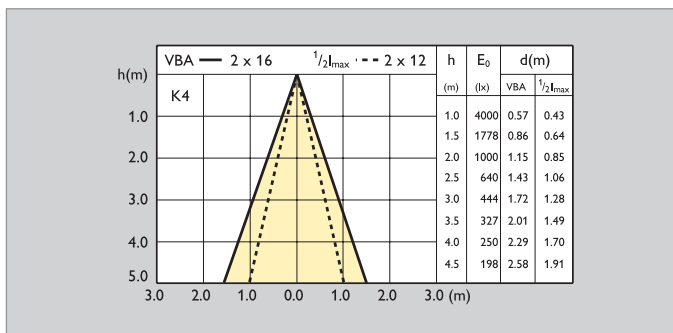


Aluline Pro 50W G53 R111 24D

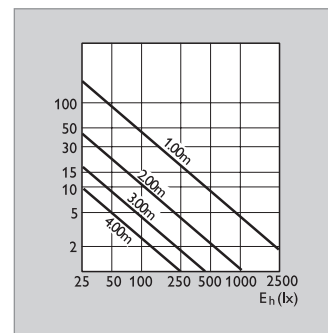
Light distribution curves



Beam diagram

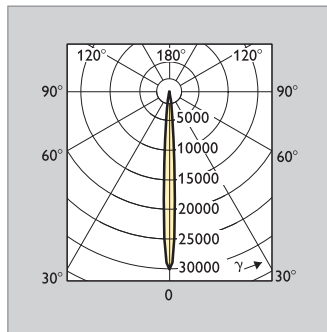


Accent diagram

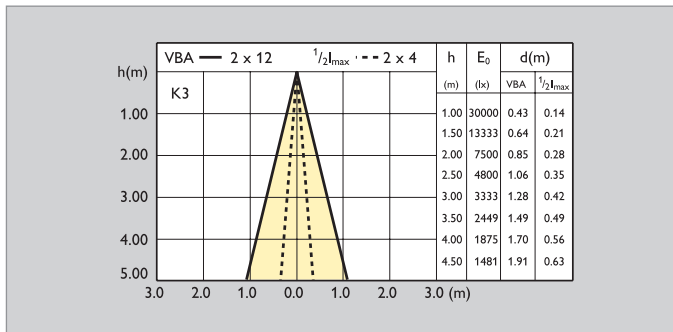


Aluline Pro 75W G53 R111 8D

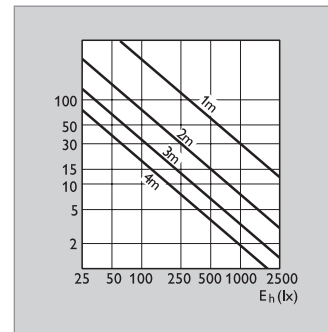
Light distribution curves



Beam diagram

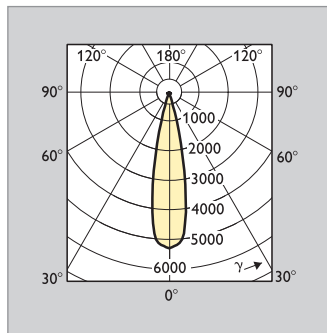


Accent diagram

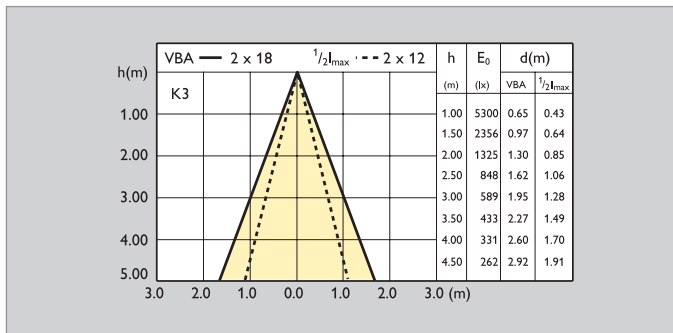


Aluline Pro 75W G53 R111 24D

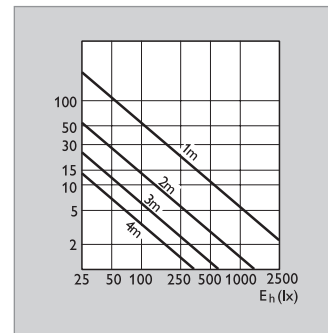
Light distribution curves



Beam diagram

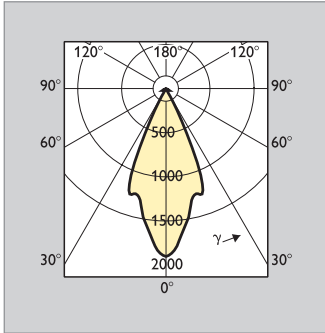


Accent diagram

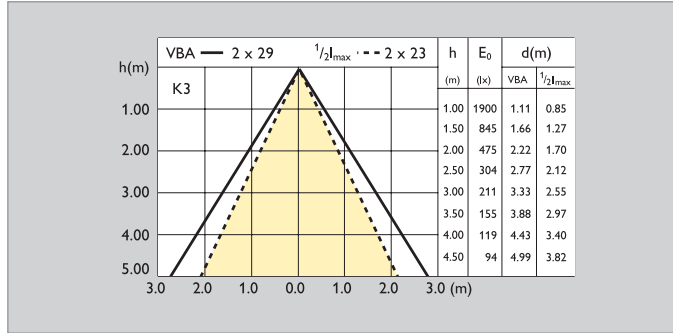


Aluline Pro 75W G53 R111 45D

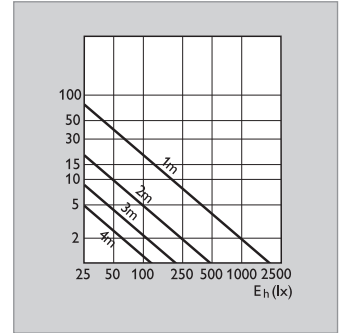
Light distribution curves



Beam diagram

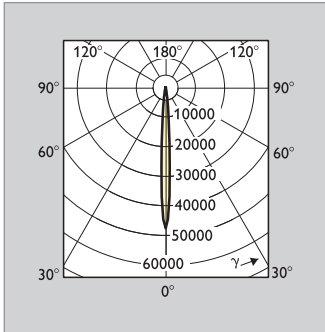


Accent diagram

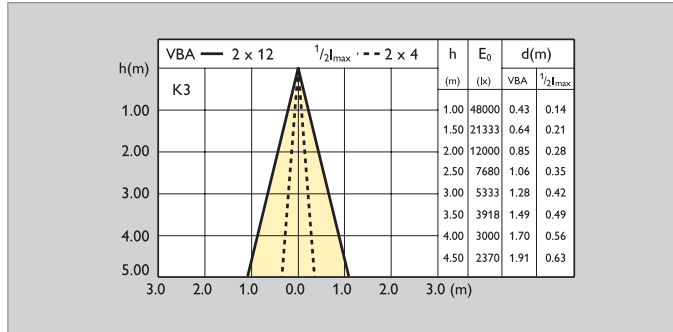


Aluline Pro 100W G53 R111 8D

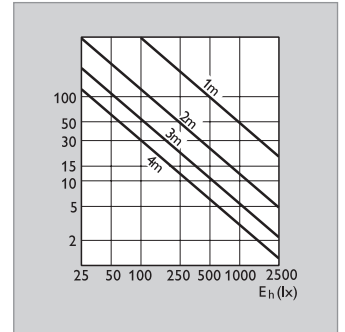
Light distribution curves



Beam diagram

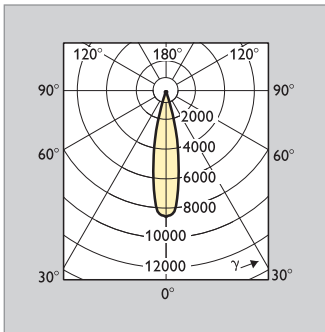


Accent diagram

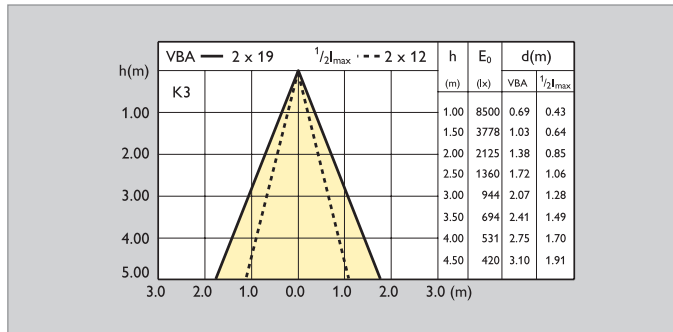


Aluline Pro 100W G53 R111 24D

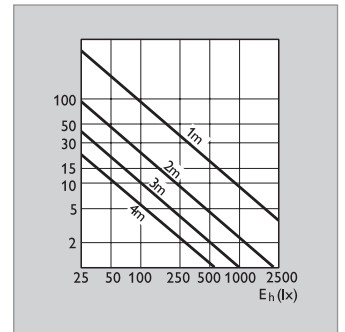
Light distribution curves



Beam diagram

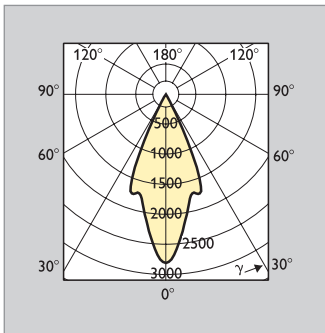


Accent diagram

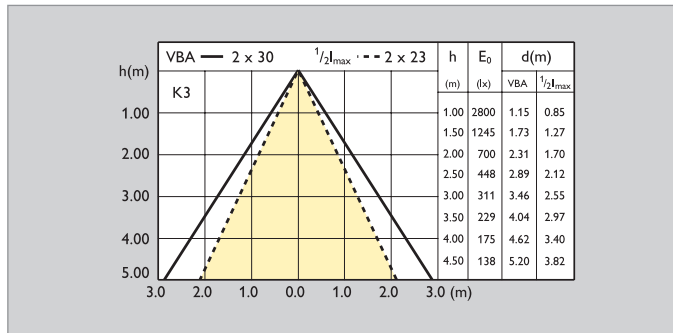


Aluline Pro 100W G53 R111 45D

Light distribution curves



Beam diagram



Accent diagram

