

LV with reflector

Accentline

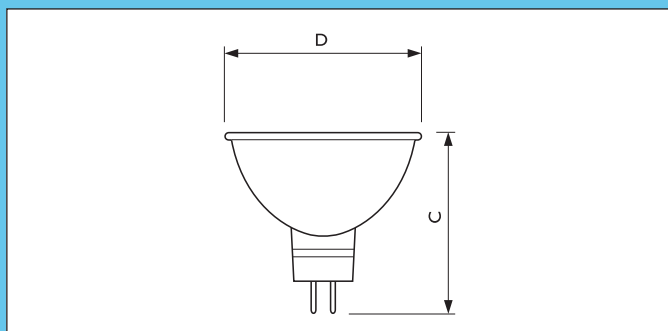


ACCENT



ACCENT

Dimensions in mm

**Product Description**

- Low-voltage halogen dichroic reflector lamp

Product Feature

- Dichroic reflector coating is heat-transmitting and light-reflecting
- White back-lighting
- Lifetime: 3000 hours
- Color rendering (Ra) = 100
- UV block
- Dimmable & Universal burning position

Product Benefit

- Cool beam as a large part of the heat generated is transmitted backwards through the back glass (Dichroic reflector coating)
- Lower maintenance cost (3000h life time)
- Excellent color rendering (Ra=100)

Application

- Accent, task lighting and decorative applications in homes, shops, hotels and restaurants

Luminaires

- Can be used in luminaires without a front glass in accordance with IEC 598

Product ID	Overall length	Diameter
	C max.	D max.
20W	46	51
35W	46	51
50W	46	51

Preferred selection

Product ID	Rated Lamp Wattage [W]	Voltage [V]	ANSI Code	Beam Angle	Cap Base	Luminous Intensity [cd]	Life to 50% Failures [hrs]	Nett Weight Product In Grams [gr]
Accentline 20W GU5.3 12V 36D 1CT	20	12	BAB	36	GU5.3	500	3000	32
Accentline 35W GU5.3 12V 36D 1CT	35	12	FMW	36	GU5.3	1000	3000	32
Accentline 50W GU5.3 12V 10D 1CT	50	12	EXT	10	GU5.3	6200	3000	32
Accentline 50W GU5.3 12V 24D 1CT	50	12	-	24	GU5.3	2100	3000	32
Accentline 50W GU5.3 12V 36D 1CT	50	12	EXN	36	GU5.3	1500	3000	32