

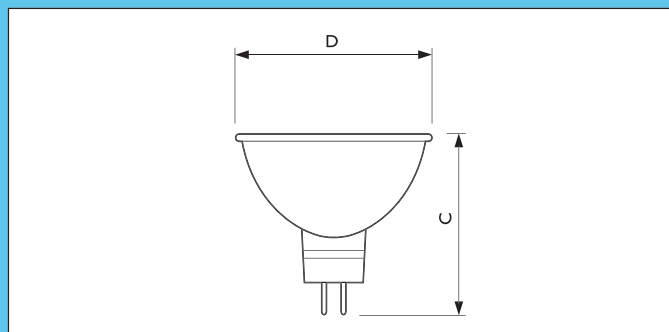
LV with reflector

New



Accent DL

Dimensions in mm



Accentline Daylight

Product Description

- Low-voltage halogen dichroic reflector lamp with front glass

Product Feature

- Dichroic reflector coating is heat-transmitting and light-reflecting
- 4000K color temperature
- Lifetime: 3000 hours
- UV block
- Dimmable & universal burning position

Product Benefit

- Unique 4000K color temperature
- Lower maintenance cost (3000h life time)
- Excellent color rendering (Ra=100)

Application

- Accent, task lighting and decorative applications in homes, shops, and higher color temperature preferred surroundings.

Luminaries

- Can be used in luminaries without a front glass in accordance with IEC 598

Product ID	Overall length	Diameter
	C max.	D max.
50W	50	46

Preferred selection

Product ID	Rated Lamp Wattage [W]	Cap Base	Voltage [V]	Beam Angle	Luminous Intensity [cd]	Life to 50% Failures [hrs]	Nett Weight Product In Grams [gr]
Accentline Daylight 50W GU5.3 12V 10D	50	GU5.3	12	10D	5100	3000	32
Accentline Daylight 50W GU5.3 12V 24D	50	GU5.3	12	24D	2000	3000	32
Accentline Daylight 50W GU5.3 12V 36D	50	GU5.3	12	36D	1000	3000	32

