

TL

TL-E Lifemax Super 80



TL-E G10q

#### Product Description

- Low-pressure mercury discharge lamps with a circular 29 mm tube

#### Product Feature

- Available in varying color designations

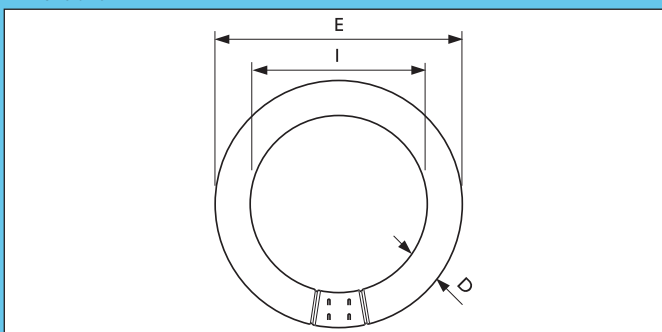
#### Product Benefit

- /80 colors have good color rendering and high efficacy compared with standard colors
- Symmetrical, omnidirectional light distribution
- Create atmospheres from warm white to cool daylight

#### Application

- Suitable for use in a wide range of luminaires for various purposes, including decorative luminaires
- Ideal for 'human' applications such as schools, offices, shops and homes

Dimensions in mm



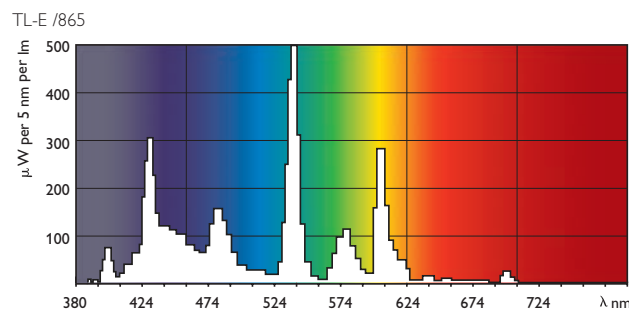
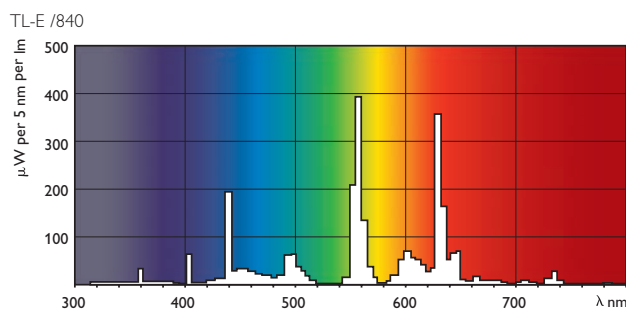
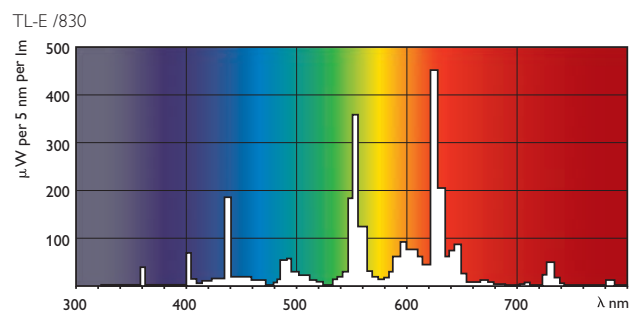
Product ID	Diameter	Outer	Inner
	D max.	E max.	I max.
22W	30.9	215.9	157.2
32W	30.9	304.8	246.1
40W	30.9	406.4	347.7

Preferred selection

Product ID	Rated Lamp Wattage [W]	Cap Base	Lamp Voltage [V]	Lamp Current EM/CuFe [A]	Color Temperature [K]	Color Rendering Index [Ra]	Color Designation
TL-E 22W/840 1CT	22	G10q	62	0.400	4000	85	Cool White
TL-E 22W/865 1CT	22	G10q	62	0.400	6500	85	Cool Daylight
TL-E 32W/830 1CT	32	G10q	81	0.450	3000	85	Warm White
TL-E 32W/850 1CT	32	G10q	81	0.450	5000	82	Daylight
TL-E 32W/865 1CT	32	G10q	81	0.450	6500	85	Cool Daylight
TL-E 32W/865 1CT	32	G10q	81	0.450	6500	85	Cool Daylight
TL-E 40W/865 1CT	40	G10q	110	0.420	6500	85	Cool Daylight

Product ID	Chromaticity Coordinate X	Chromaticity Coordinate Y	Luminous Flux Lamp EM/CuFe [lm]	Life to 50% Failures EM [hrs]	Nett Product in Grams [gr]
TL-E 22W/840 1CT	381	379	1285	9000	150
TL-E 22W/865 1CT	316	336	1250	9000	150
TL-E 32W/830 1CT	438	403	2300	9000	262
TL-E 32W/850 1CT	346	359	2350	9000	262
TL-E 32W/865 1CT	316	336	2310	9000	262
TL-E 32W/865 1CT	316	336	2310	9000	262
TL-E 40W/865 1CT	316	336	3070	9000	400

Spectral power distribution



Lumen maintenance diagram

