

TL

TL-E Lifemax Standard Colors



TL-E G10q

Product Description

- Low-pressure mercury discharge lamps with a circular 29 mm tube

Product Feature

- Available in varying color designations
- Symmetrical, omni-directional light distribution

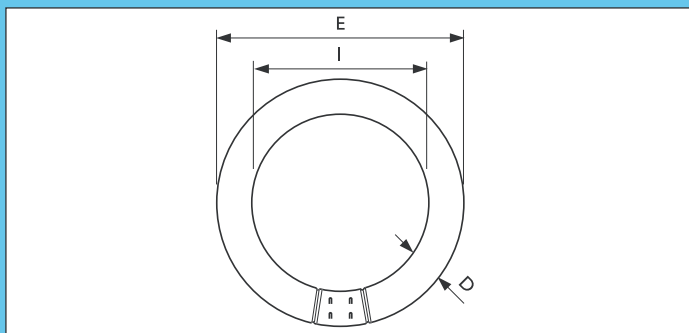
Product Benefit

- Standard colors with moderate color rendering (Ra 50 - 70)
- Create atmospheres from warm white to cool daylight

Application

- Suitable for use in a wide range of luminaires for various purposes, including many decorative luminaires
- Ideal for 'human' applications such as schools, offices, shops, theatres etc. where color rendering is not an important factor

Dimensions in mm



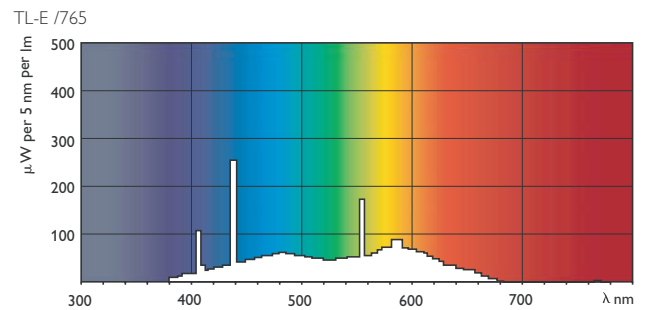
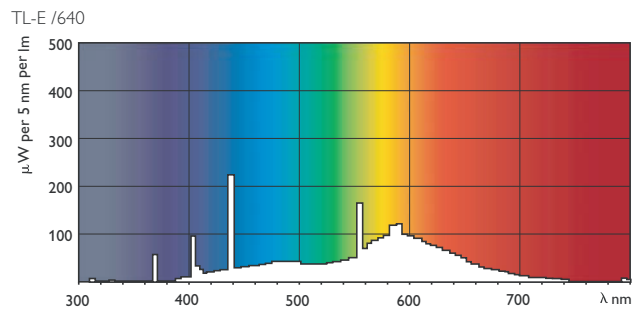
Product ID	Diameter	Outer	Inner
	D max.	E max.	I max.
22W	30.9	215.9	157.2
32W	30.9	304.8	246.1
40W	30.9	406.4	347.7

Preferred selection

Product ID	Rated Lamp Wattage [W]	Cap Base	Lamp Voltage [V]	Lamp Current EM/CuFe [A]	Color Temperature [K]	Color Rendering Index [Ra]	Color Designation
TL-E 22W/33-640 1CT	22	G10q	62	0.400	4100	63	Cool White
TL-E 22W/54-765 1CT	22	G10q	62	0.400	6200	72	Cool Daylight
TL-E 32W/33-640 1CT	32	G10q	81	0.450	4100	63	Cool White
TL-E 32W/54-765 1CT	32	G10q	81	0.450	6200	72	Cool Daylight
TL-E 32W/54-765 2CT	32	G10q	81	0.450	6200	72	Cool Daylight
TL-E 40W/33-640 1CT	40	G10q	110	0.420	4100	63	Cool White
TL-E 40W/54-765 1CT	40	G10q	110	0.420	6200	72	Cool Daylight

Product ID	Chromaticity Coordinate X	Chromaticity Coordinate Y	Luminous Flux Lamp EM/CuFe [lm]	Life to 50% Failures EM [hrs]	Nett Product in Grams [gr]
TL-E 22W/33-640 1CT	377	381	1250	9000	150
TL-E 22W/54-765 1CT	313	337	1050	9000	150
TL-E 32W/33-640 1CT	377	381	2050	9000	262
TL-E 32W/54-765 1CT	313	337	1750	9000	262
TL-E 32W/54-765 2CT	313	337	1750	9000	262
TL-E 40W/33-640 1CT	377	381	2900	9000	400
TL-E 40W/54-765 1CT	313	337	2500	9000	400

Spectral power distribution



Lumen maintenance diagram

