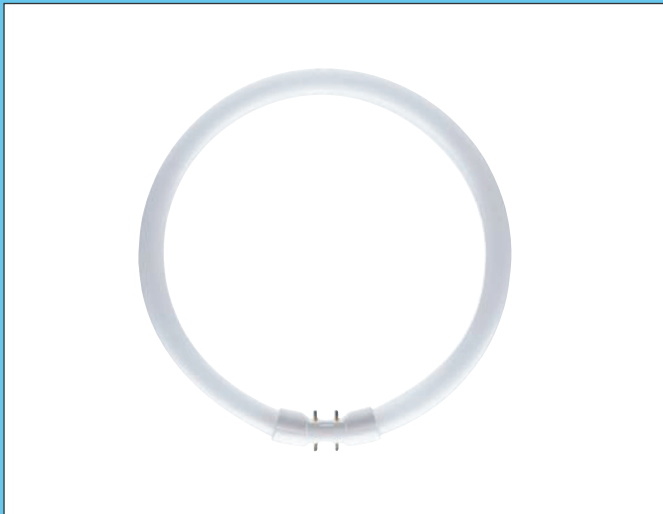


TL5

MASTER TL5 Circular



TL5-C

Product Description

- 16 mm tube diameter circular fluorescent lamps with a choice of diameters ranging from 230 to 380 mm

Product Feature

- Highly efficient 3-band fluorescent coating in combination with precoating
- Specifically designed for operation with electronic gear and well suited for dimming
- Can be ignited from -15° to +50°C

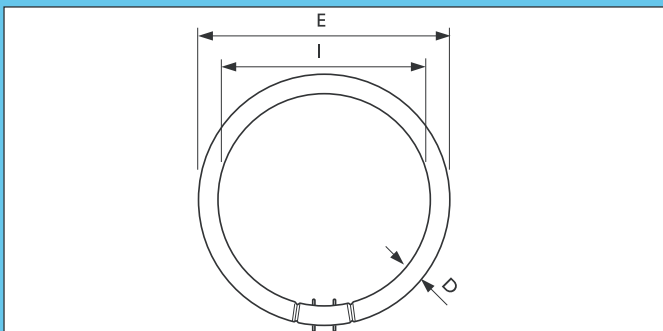
Product Benefit

- Slim 16 mm tube allows creation of extremely flat luminaires
- Extra design freedom through rotational symmetry allows creation of products which are omnidirectional in both light distribution and design
- High lamp efficacy
- Good color rendering

Application

- Brings the benefits of TL5 lighting to an even wider range of attractive applications
- Suitable for a wide range of professional and semi-professional applications
- Ideal for use in shops, offices and public areas with non-traditional layouts

Dimensions in mm



	Diameter	Outer	Inner
Product ID	D max.	E max.	I max.
22W	18	230	197
40W	18	305	272
55W	18	305	272
60W	18	305	346

Preferred selection

Product ID	Rated Lamp Wattage [W]	Cap Base	Lamp Voltage [V]	Lamp Current EL [A]	Color Temperature [K]	Color Rendering Index [Ra]	Color Designation
TL5 Circular Super 80 Pro 22W/827 1CT	22	2GX13	75	0.300	2700	85	Incandescent White
TL5 Circular Super 80 Pro 22W/830 1CT	22	2GX13	75	0.300	3000	85	Warm White
TL5 Circular Super 80 Pro 22W/840 1CT	22	2GX13	75	0.300	4000	85	Cool White
TL5 Circular Super 80 Pro 22W/865 1CT	22	2GX13	75	0.3	6500	79	Cool Daylight
TL5 Circular Super 80 Pro 40W/827 1CT	40	2GX13	126	0.320	2700	85	Incandescent White
TL5 Circular Super 80 Pro 40W/830 1CT	40	2GX13	126	0.320	3000	85	Warm White
TL5 Circular Super 80 Pro 40W/840 1CT	40	2GX13	126	0.320	4000	85	Cool White
TL5 Circular Super 80 Pro 40W/865 1CT	40	2GX13	126	0.32	6500	79	Cool Daylight
TL5 Circular Super 80 Pro 55W/830 1CT	55	2GX13	101	0.550	3000	85	Warm White
TL5 Circular Super 80 Pro 55W/840 1CT	55	2GX13	101	0.550	4000	85	Cool White
TL5 Circular Super 80 Pro 55W/865 1CT	55	2GX13	101	0.55	6500	79	Cool Daylight
TL5 Circular Super 80 Pro 60W/830 1CT	60	2GX13	129	0.470	3000	85	Warm White
TL5 Circular Super 80 Pro 60W/840 1CT	60	2GX13	129	0.470	4000	85	Cool White
TL5 Circular Super 80 Pro 60W/865 1CT	60	2GX13	129	0.470	6500	79	Daylight

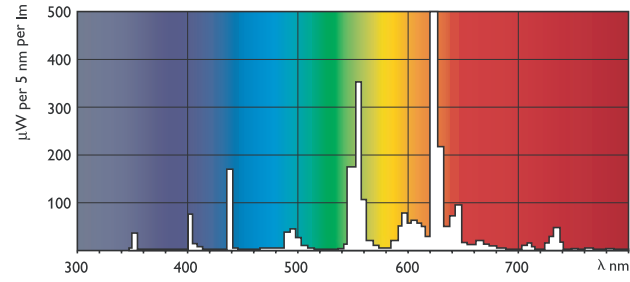
Product ID	Chromaticity Coordinate X	Chromaticity Coordinate Y	Luminous Flux Lamp EL [lm]	Life to 50% Failures Preheat EL [hrs]	Nett Product in Grams [gr]
TL5 Circular Super 80 Pro 22W/827 1CT	463	420	1800	12000	74
TL5 Circular Super 80 Pro 22W/830 1CT	440	403	1800	12000	74
TL5 Circular Super 80 Pro 22W/840 1CT	380	380	1800	12000	74
TL5 Circular Super 80 Pro 22W/865 1CT	313	337	1740	10000	74
TL5 Circular Super 80 Pro 40W/827 1CT	463	420	3300	12000	110
TL5 Circular Super 80 Pro 40W/830 1CT	440	403	3300	12000	110
TL5 Circular Super 80 Pro 40W/840 1CT	380	380	3300	12000	110
TL5 Circular Super 80 Pro 40W/865 1CT	313	337	3100	12000	110
TL5 Circular Super 80 Pro 55W/830 1CT	440	403	4200	12000	110
TL5 Circular Super 80 Pro 55W/840 1CT	380	380	4200	12000	110
TL5 Circular Super 80 Pro 55W/865 1CT	313	337	4000	12000	110
TL5 Circular Super 80 Pro 60W/830 1CT	440	403	5000	12000	145
TL5 Circular Super 80 Pro 60W/840 1CT	380	380	5000	12000	145
TL5 Circular Super 80 Pro 60W/865 1CT	313	337	4800	12000	145

TL5

MASTER TL5 Circular

Spectral power distribution

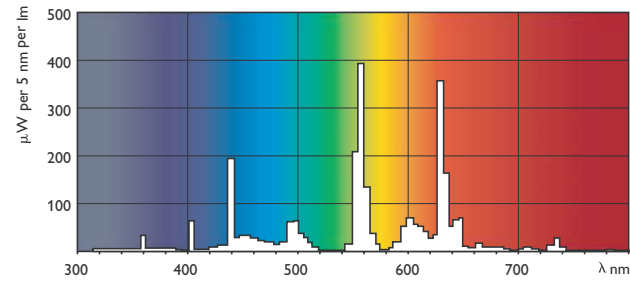
TL5-C /827



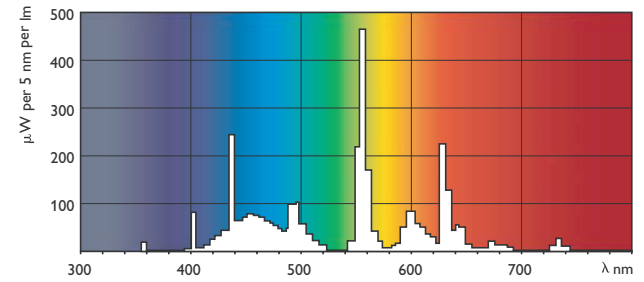
TL5-C /830



TL5-C /840



TL5-C /865



Lumen maintenance diagram

