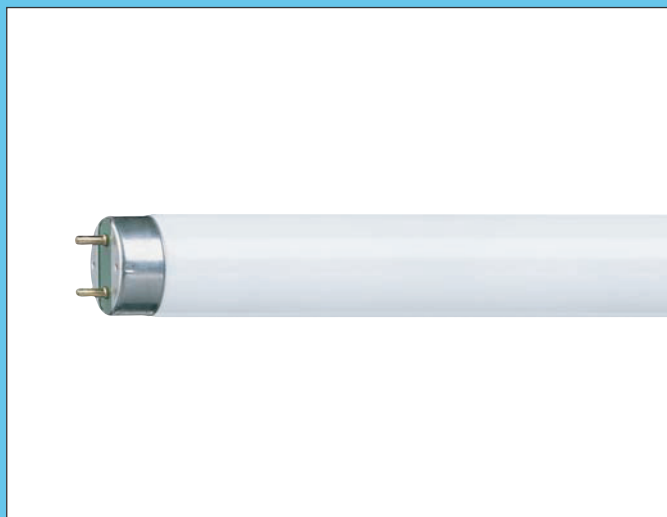


TL-D

MASTER TL-D Super 80 HF



TL-D

Product Description

- Low-pressure mercury discharge lamps with a tubular 26 mm envelope and argon gas filling

Product Feature

- Highly efficient 3-band fluorescent coating in combination with New Generation pre-coating technology
- High initial lumen output
- Available in varying color designations
- Low mercury dose (3 mg)
- MASTER TL-D lamps are fully recyclable
- End-cap has green bottom plate to identify lamp as recyclable and sustainable product

Product Benefit

- Relatively high efficacy, both initially and during lamp lifetime, with high lumen maintenance
- Good color rendering
- Creates atmospheres from warm white to cool daylight

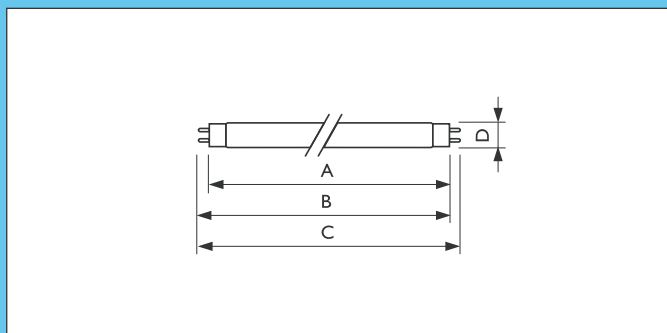
Application

- Suitable for use in a wide range of luminaires for TL-D fluorescent lamps for 'human' applications such as schools, offices, shops, factory halls etc.

System

- Special HF electronic gear must be used

Dimensions in mm



Product ID	Overall length			Diameter
	A max.	B max.	C max.	D max.
16W	589.8	596.9	604	28
32W	1199.4	1206.5	1213.6	28
50W	1500.0	1507.1	1514.2	28

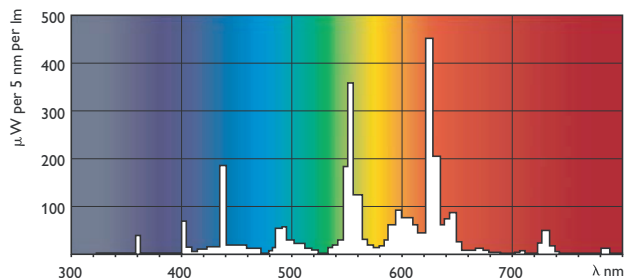
Preferred selection

Product ID	Rated Lamp Wattage [W]	Cap Base	Lamp Voltage [V]	Lamp Current EL [A]	Color Temperature [K]	Color Rendering Index [Ra]	Color Designation
MASTER TL-D Super 80 HF 16W/830 SLV	16	G13	64	0.26	3000	85	Warm White
MASTER TL-D Super 80 HF 16W/840 SLV	16	G13	64	0.26	4000	85	Cool White
MASTER TL-D Super 80 HF 32W/830 SLV	32	G13	128	0.26	3000	85	Warm White
MASTER TL-D Super 80 HF 32W/840 SLV	32	G13	128	0.26	4000	85	Cool White
MASTER TL-D Super 80 HF 50W/830 SLV	50	G13	142	0.36	3000	85	Warm White
MASTER TL-D Super 80 HF 50W/840 SLV	50	G13	142	0.36	4000	85	Cool White

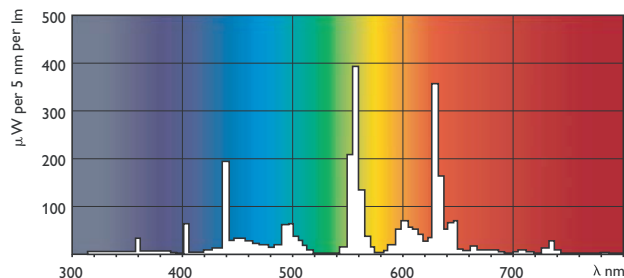
Product ID	Chromaticity Coordinate X	Chromaticity Coordinate Y	Life to 50% Failures Preheat EL [hrs]	Luminous Flux Lamp EL [lm]	Nett Product in Grams [gr]
MASTER TL-D Super 80 HF 16W/830 SLV	442	405	20000	1400	68.90
MASTER TL-D Super 80 HF 16W/840 SLV	384	381	20000	1400	68.90
MASTER TL-D Super 80 HF 32W/830 SLV	442	405	20000	3200	137.50
MASTER TL-D Super 80 HF 32W/840 SLV	384	381	20000	3200	137.50
MASTER TL-D Super 80 HF 50W/830 SLV	440	406	20000	5000	186.00
MASTER TL-D Super 80 HF 50W/840 SLV	384	383	20000	5000	186.00

Spectral power distribution

TL-D /830



TL-D /840



Lumen maintenance diagram

