

Ecotone

Ecotone High Lumen

New

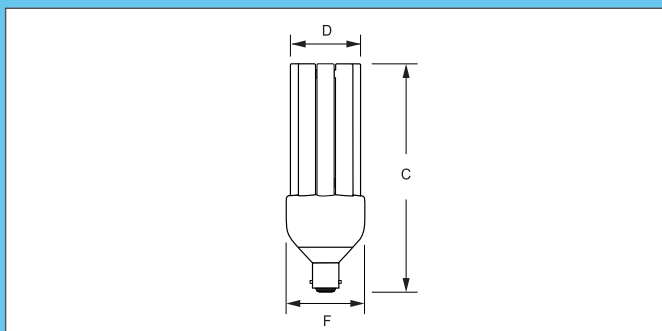


EcoHL 65W E26/E27



EcoHL 45W E26/E27

Dimensions in mm



Product description

- The lamp consists of 8 parallel narrow fluorescent tubes bridged together with a unique construction .
- Lamps is equipped with an integrated ballast.

Product feature

- The Ecotone High Lumen range is available in 45/65W versions, the equivalents of ML & HPL's low watt ones.
- These lamps start instantly (within 0.1 seconds) and save energy compared with the ML/HPL solutions.
- The Ecotone High Lumen lamps have a long life of 10,000 hours
- Three color temperatures are available: Warm White (2700K), Cool White (4000K) and Cool Daylight (6500K) with good color rendering
- In all applications bright and stable light is guaranteed whatever the ambient temperature varies, thanks to Philips amalgam technology.
- The lamps operate under a wide voltage range (170-250V), to give you light even in fluctuating Power supply.
- High Power Factor; fully compliant to IEC/EMC standards
- Not suitable for the enclosed fixtures, dimmers, or electronic switches or remote controls.

Application

- The low operation cost of the Ecotone High Lumen lamps give the best value for money and can be the perfect alternatives to replace ML or HPL system in the open fixtures.
- Indoor and outdoor general and decorative lighting in professional low and medium- bay environments such as:
 - public buildings
 - shops and shopping centers
 - railway and bus stations
 - residential areas and city centers

Product ID	Overall length	Diameter	Width
	C max.	D max.	F max.
45W B22	227.5	72.2	80.3
45W E27	229.0	72.2	80.3
65W B22	261.5	72.2	80.3
65W E27	263.0	72.2	80.3

Preferred selection

Product ID	Rated Lamp Wattage [W]	Line Frequency [Hz]	Cap Base	Voltage [V]	Color Temperature [K]	Color Rendering Index [Ra]
MASTER Ecotone High Lumen 45W/840 E27 220-240V 1CT	45	50/60	E27	220-240	4000	82
MASTER Ecotone High Lumen 45W/865 E27 220-240V 1CT	45	50/60	E27	220-240	6500	82
MASTER Ecotone High Lumen 65W/840 E27 220-240V 1CT	65	50/60	E27	220-240	4000	82
MASTER Ecotone High Lumen 65W/865 E27 220-240V 1CT	65	50/60	E27	220-240	6500	80

Product ID	Luminous Flux Lamp [lm]	Lumen Maintenance 2000h [%]	Life to 50% Failures [hrs]	Nett Weight Product In Grams [gr]
MASTER Ecotone High Lumen 45W/840 B22 220-240V 1CT	3000	85	6000	335
MASTER Ecotone High Lumen 45W/840 E27 220-240V 1CT	3000	85	6000	335
MASTER Ecotone High Lumen 45W/865 B22 220-240V 1CT	3000	85	6000	335
MASTER Ecotone High Lumen 45W/865 E27 220-240V 1CT	3000	85	6000	335
MASTER Ecotone High Lumen 65W/840 B22 220-240V 1CT	4200	85	6000	395
MASTER Ecotone High Lumen 65W/840 E27 220-240V 1CT	4200	85	6000	395
MASTER Ecotone High Lumen 65W/865 B22 220-240V 1CT	4200	85	6000	395
MASTER Ecotone High Lumen 65W/865 E27 220-240V 1CT	4200	85	6000	395