

Ambiance

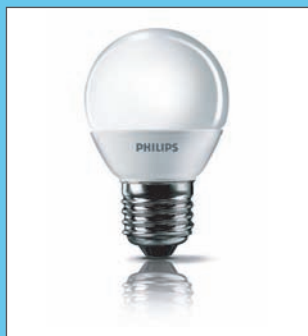
Ambiance



Ambiance Standard E27



Ambiance Candle



Ambiance Luster

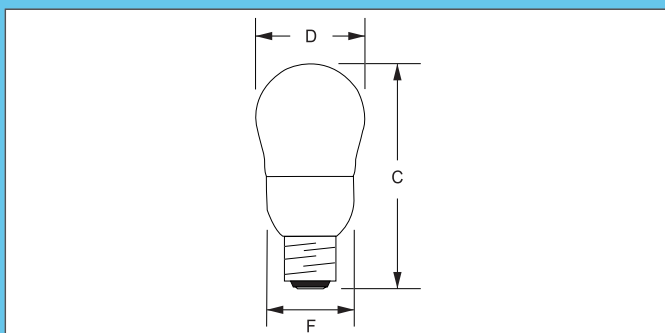
Product description

- The Ambiance range is decorative covered compact fluorescent lamp, designed for an anti-glare application.
- It is available in 5W, 8W and 11W, with lumen equivalence of 25W, 40W and 60W incandescent light bulb.
- It is also available in two color temperatures: warm white (2700K) and cool daylight (6500K).
- It is available in both 220-240V and 120-127V and able to operate under a wide voltage range (Power supply fluctuation).
- It consumes up to 80% less energy than the incandescent light bulb and lasts for 3 years.

Application

- The Ambiance range is widely used to replace incandescent light bulb at indoor fixtures, down lights and other applications for creation comfortable moods.
- It is not suitable for dimming and electronic devices

Dimensions in mm



Product ID	Overall length	Diameter	Width
	C max.	D max.	F max.
8W B22	112.5	61.5	44.4
11W B22	122.5	61.5	44.4
11W E27	126.0	61.0	44.4
14W B22	130.5	66.0	50.4
14W E27	144.5	71.0	50.4
18W B22	141.4	71.0	50.4

Preferred selection

Product ID	Rated Lamp Wattage [W]	Line Frequency [Hz]	Cap Base	Voltage [V]	Color Temperature [K]	Color Rendering Index [Ra]
Ambiance 8W CDL E27 220-240V 1CT	8	50/60	E27	220-240	6500	80
Ambiance 8W WW E27 220-240V 1CT	8	50/60	E27	220-240	2700	82
Ambiance 11W CDL E27 220-240V 1CT	11	50/60	E27	220-240	6500	80
Ambiance 11W WW E27 220-240V 1CT	11	50/60	E27	220-240	2700	82

Product ID	Luminous Flux Lamp EM/CuFe [lm]	Lumen Maintenance 2000h [%]	Life to 50% Failures [hrs]	Nett Weight Product In Grams [gr]
Ambiance 8W CDL B22 220-240V 1CT	380	85	6000	85
Ambiance 8W CDL E27 220-240V 1CT	380	85	6000	85
Ambiance 8W WW B22 220-240V 1CT	400	85	6000	85
Ambiance 8W WW E27 220-240V 1CT	400	85	6000	85
Ambiance 11W CDL B22 220-240V 1CT	540	85	6000	95
Ambiance 11W CDL E27 220-240V 1CT	540	85	6000	95
Ambiance 11W WW B22 220-240V 1CT	570	85	6000	95
Ambiance 11W WW E27 220-240V 1CT	570	85	6000	95