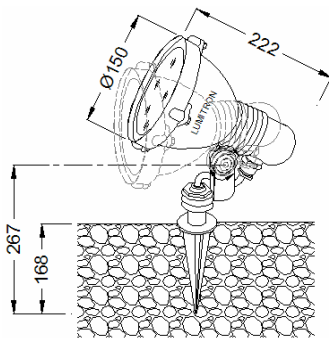


LMGL - 13

A range of durable compact outdoor floodlight, Lumitron's LMGL-13 is ideal for feature lighting of trees, bushes, statues, residential areas, gardens, signs, and other decorative effects requiring an inconspicuous luminaire. It expresses safety, strength and harmony in urban amenity lighting applications.

Specifications

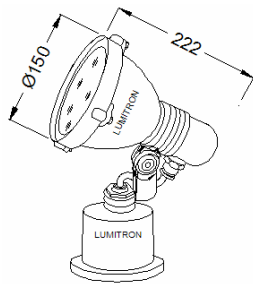
- Corrosion resistant die cast aluminium alloy body.
- UV-stabilized polyester powder coat finish in Black.
- Diffuser: heat-resistant, safety tempered glass lens.
- Durable silicone rubber gaskets.
- Stainless steel screws.
- Lampholder: E27 base
- Suitable for PAR38, HAL. PAR38 100W, LED PAR38, QR111, CDM-R and CDM-T.
- Vandal resistant, dust-tight and jetproof IP65.
- Class I Electrical to DIN, VDE, and IEC.



LMGL-13A



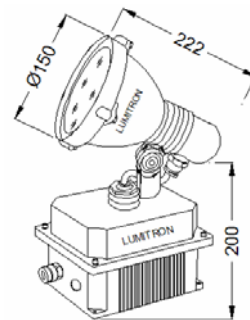
+ Hood



LMGL-13B



+ Hood



LMGL-13C



+ Hood

Lumitron Ref.	Lamp Type	Lumen	Beam Angle	Base	Remark
LMGL-13A (Ground Spike)	HAL-PAR38 100W	10,000 / 3,500 cd	10°-30°	E27	Recheck lumen with lamp catalog.
LMGL-13B (Base Mounting)	PAR38 120W	9,300 / 3,100 cd	10°-30°	E27	
	LED	Red, Green, Blue, Yellow, White			
	QR111 75W 12V	30,000-5,300-1,900 cd	8°, 24°, 45°	G53	
	QR111 100W 12V	48,000-8,500-2,800 cd	8°, 24°, 45°	G53	
	CDM-R 35W	44,000 / 7,400 cd	10°, 30°	E27	
	CDM-R 70W	68,000 / 10,000 cd	10°, 36°	E27	
	CDM-T 35W	3,300	10°, 36°	G12	
	CDM-T 70W	6,600	10°, 36°	G12	
	CDM-T 150W	14,000	10°, 36°	G12	

LMGL-13C
(With Ballast Box)