



LMXFS Series

Xenon Flexible Strip Light – Cove Light

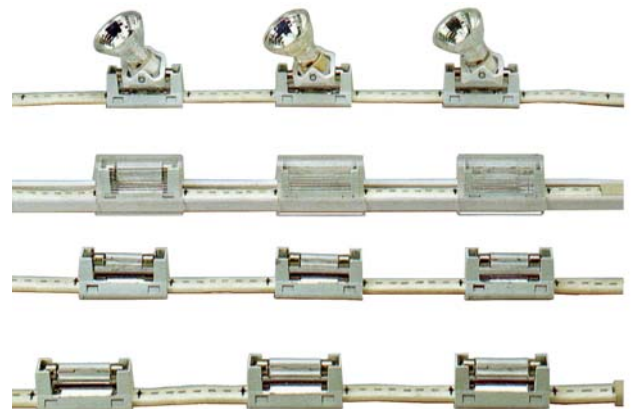
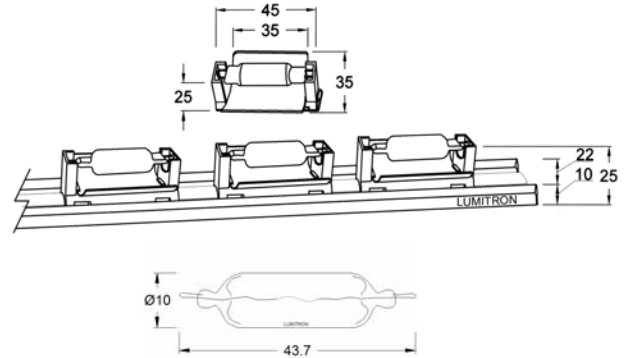
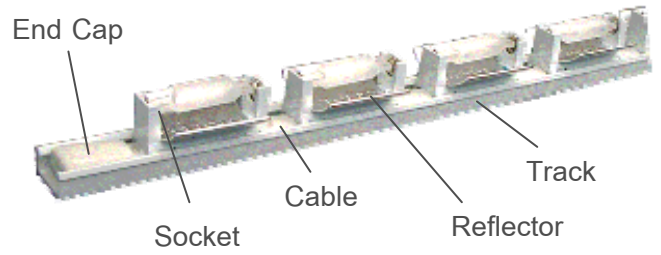
A versatile range of flexible strip light, Lumitron's LMXFS Series, is an exciting new cove light system which features the reliability and performance of Xenon lamp. Provides omni-directional light output, very even distribution of light. Ideal for cove light applications for hotels, theaters, department stores, exhibition halls, and other decorative areas.

Specifications

- Cable wire 2.5 sqmm, maximum current 20 Amps for each cable length. Wire length and lamp wattage, available up to your request.
- Safe and low pressure designed lamp, less heat, no UV-hazard. Xenon rigid loop lamp 12-24V, 5W or 10W: lamp life 20,000 hours.
- Optional festoon lamp can be used for the straight line decoration and the halogen lamps can be used for point / spot light, easily turned into 0 degree to 180 degree concave & convex from, by hand to speed-up installation with limitless designs.

Accessories:

- Xenon Rigid Loop Lamp (Average lamp life 20,000 hrs.)
- Xenon Festoon Lamp (Average lamp life 5,000 hrr.)
- MR11 20W (2,000 hrs.)
- Terminal Feeder
- End Cap
- Plastic Cover
- Large Aluminium Reflector
- Small Back Reflector
- Mounting clip
- Track
- Track Cover
- Magnetic Transformer 50-350W
- Electronic Transformer 50-250W



Ordering Information

Lumitron Ref.	Watt	Volt	Amp	Lumen	Option
LMXFS-5W/12V	5W	12V	0.417	45	
LMXFS-10W/12V	10W	12V	0.833	100	
LMXFS-5W/24V	5W	24V	0.208	40	<input type="checkbox"/> -CL: Clear Lamp
LMXFS-10W/24V	10W	24V	0.417	90	<input type="checkbox"/> -FR: Frosted Lamp
LMXFS-35MR11	35W	12V	-		