

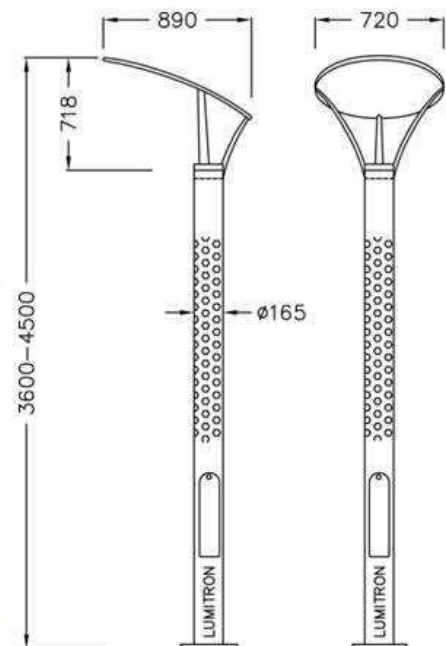
LMPT - 62

Post Light

An architecture of decorative post light, Lumitron's LMPT-62 luminaire, is designed to achieve superior lighting functionality whilst providing attractive styling and desirable theme, especially for prestigious projects. Ideal for landscape applications such as, exhibition halls, department stores, gardens, parks, hotels, residential areas, precincts, walkways, and other amenity areas.

Specifications

- Housing: corrosion resistant die cast aluminium alloy.
- UV stabilized polyester powder coat finish in White, Black, Silver. Other color available on request.
- Reflector: anodized aluminium reflector.
- Indirect Reflector: white polymer plastic.
- Diffuser: heat resistant, safety tempered glass lens.
- Galvanized steel pole.
- Stainless steel screws and silicone rubber gasket.
- Control Gear: built-in type, accommodates ballast, ignitor, lampholders VDE approved, and P.F. correction capacitors.
- Lumitron offers only anti-cycling ignitor, super-posed versions to avoid ballast failures during ends of lamp life.
- Protection level IP65 dust-tight and water-jetproof.
- Conforming to DIN, VDE, IEC Class I Electrical.



LUMITRON REF.	Lamp	Lumen	Base
LMPT-62-NH-70CDM-T	CDM-T 70W	6,600	G12
LMPT-62-NH-150CDM-T	CDM-T 150W	14,000	G12
LMPT-62-PH-FL136-70CDM-T	CDM-T 70W	6,600	G12
LMPT-62-PH-FL136-150CDM-T	CDM-T 150W	14,000	G12