

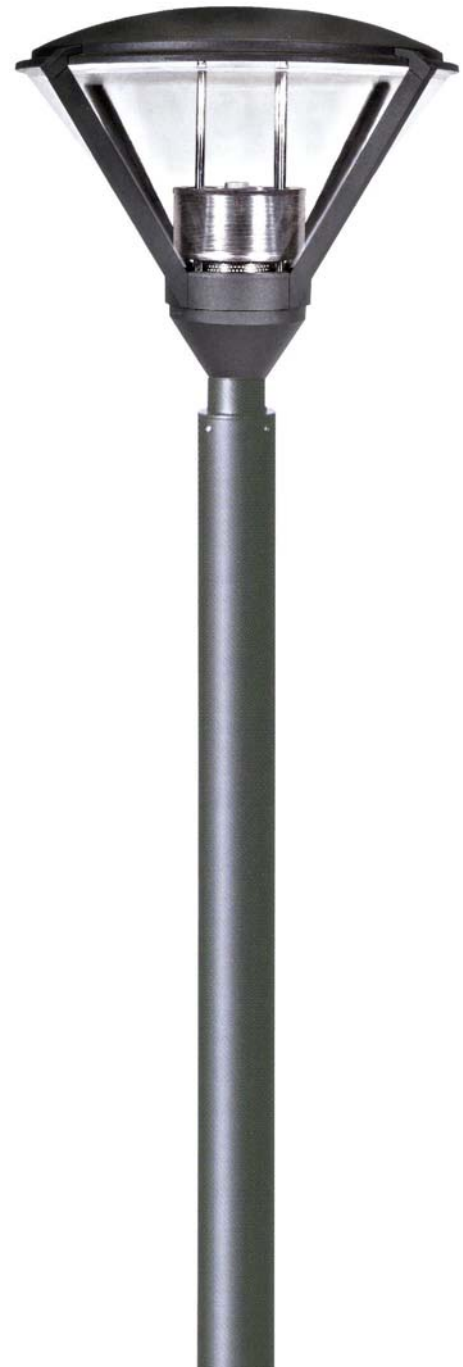
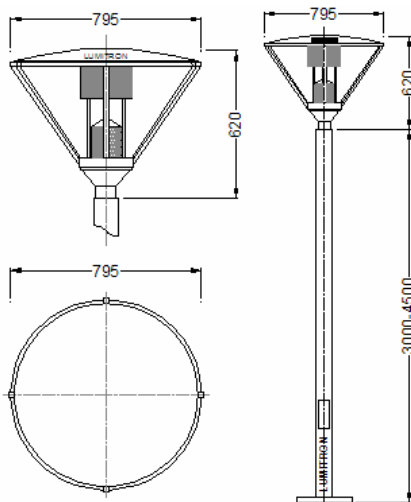
LMPT - 11

Architectural Post Light - IP 55

An architecture of decorative post light, Lumitron's LMPT-11 luminaire, is designed to achieve superior lighting functionality whilst providing attractive styling and desirable theme, especially for prestigious projects. Ideal for landscape applications such as, exhibition halls, department stores, gardens, parks, hotels, residential areas, precincts, walkways, and other amenity areas.

Specifications

- Housing: corrosion resistant die cast aluminium alloy.
- UV stabilized polyester powder coat finish in White, Black, Silver.
- Reflector: high purity anodized aluminium perforated-ring reflector with up-down sliding for adjustable beam pattern.
- Diffuser: UV-Stabilized clear polycarbonate lens.
- Stainless steel screws and silicone rubber gasket.
- Control Gear: built-in type, accommodates ballast, ignitor, lampholders VDE approved, and P.F. correction capacitors.
- Lumitron offers only anti-cycling ignitor, super-posed versions to avoid ballast failures during ends of lamp life.
- Protection level IP55 dust-proof and jet-proof.
- Conforming to DIN, VDE, IEC Class I Electrical.



Ordering Information

Lumitron Ref.	Lamp Type	Lumen	Color Temp.	Base	Remark
LMPT-11-42PLT	PLT 42W	3,200	2,700-4,000K	GX24q-4	Recheck lumen with lamp catalog.
LMPT-11-57PLT	PLT 57W	4,300	2,700-4,000K	GX24q-5	
LMPT-11-85PLH	PLH 85W	6,000	4,000K	2G8	<input type="checkbox"/> AP: Extruded Aluminium pole.
LMPT-11-80MV	MV 80W	3,800	4,000K	E27	<input type="checkbox"/> SP: Galvanized Steel pole
LMPT-11-125MV	MV 125W	6,300	4,000K	E27	
LMPT-11-70HPS	HPS 70W	5,600	2,000K	E27	
LMPT-11-150HPS	HPS 150W	14,000	2,000K	E40	
LMPT-11-70MH	MH 70W	5,300	3,200-4,000K	E27	
LMPT-11-150MH	MH 150W	14,250	3,200-4,000K	E27	
LMPT-11-250MH	MH 250W	20,000	3,200-4,000K	E40	