

LMUW - 10



Under Water Light

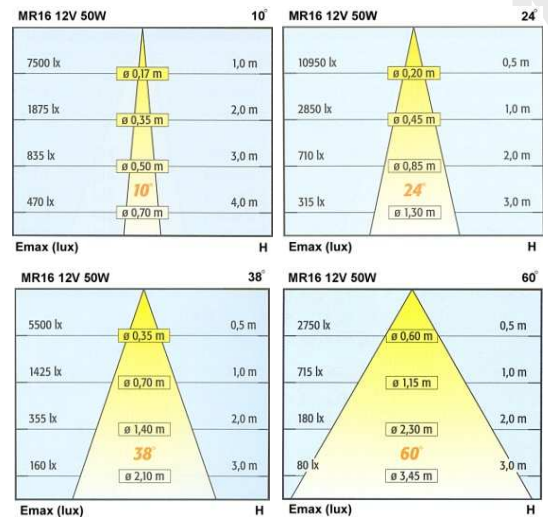
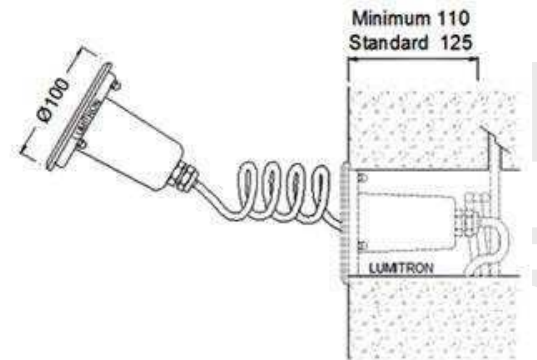
Premium grade, high quality, architectural underwater luminaires, Lumitron's LMUW-10, is ideal for amenity lighting such as trees, sculptures, corridors, facades, swimming pools, spas, fountains, walkways, guide lights. Thanks to its robust design, durability, as well as luxurious appearance, allowing to create exciting and dramatic lighting effects for hotels, atriums, arenas, convention halls, public spaces or any prestigious installations.

Specifications

- Material: corrosion-resistant stainless steel 304 front ring and body.
- High impact, shock resistant, toughened clear safety tempered glass. Acidated, frosted glass version available on request.
- Durable weatherproof, water resistant silicone gaskets.
- Stainless steel screws.
- Vandal-resistant construction.
- Cable entry H07RN-F, 2x1sqmm.
- Lamp: MR16 low voltage halogen lamp 12V 20W, 50W, and 75W. Available beam angles of 10°-40°.
- LED lamp version available on request.
- Remote step-down magnetic transformer 220/12V.
- Installation: surface mounting.
- Protection level IP68 dust-tight and submersible-proof.
- Class III Electrical for 12V power supply. Conforming to DIN, VDE, and IEC.

Accessories:

- Cable 3m.
- Transformer Housing (Water-erproof, plastic)
- Transformer Housing (Water-erproof IP65, die cast aluminium)



LUMITRON REF.	Lamp	Lumen	Base
LMUW-10-50PAR16	PAR16 50W/220V	25°, 50°	GU10
LMUW-10-MR16	MR16 20, 35, 50W/12V	10°-40°	GX5.3
LMUW-10-LEDMR16	LED MR16 White, Red, Green, Blue, Yellow		