

CONTOUR

150-400W Architectural Floodlight - IP 65

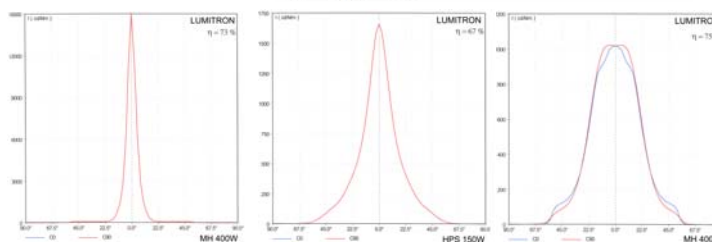
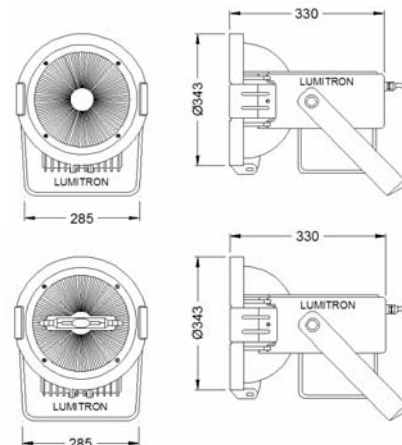
A high performance, premium range of decorative floodlight projectors specifically designed for city beautification. Lumitron's Contour, provides elegant appearance, aesthetically suitable for prestigious projects. Ideal for high quality, professional solution for every kind of floodlighting applications. Thanks to its wide range of beam patterns, enables wide projector spacing from close offset mounting.

Specifications

- Housing: corrosion resistant die cast aluminium alloy body, with precise cooling fins for superior heat
- Colour: UV resistant polyester powder coat finish in black, or white. Other color available on request.
- Reflector: high purity anodized aluminium reflector chemically brighten providing choices of symmetrical wide beam or very narrow beam.
- Lens Assembly: thermal shock resistant safety glass in aluminium frame, stainless steel screws, stainless steel locking clips, durable silicone rubber gasket.
- Control Gear: built-in type, accommodates ballast, ignitor, 5kV pulse lampholder VDE approved, and P.F. correction capacitors.
 - ❑ 35-150W: without control gearbox
 - ❑ 250-400W: with control gearbox
- Lumitron offers only anti-cycling ignitor, super-imposed versions to avoid ballast failures during ends of lamp life.
- IP65 dust-tight and jet-proof.
Conforming to DIN, VDE, IEC598-2-3-1993 Class I Electrical.
- Installation/Mounting: pole mounting or wall mounting with u-shape bracket. Cable gland PG 13.5 for cable entry of 7.5–13.5mm o/d cable connection.

Accessories

- ❑ Louver: VL-CT
- ❑ Glare shield: GS-CT
- ❑ Hood: HD-CT
- ❑ Spread lens: SL-CT
- ❑ Colour filters: Blue, Red, Yellow, and Green



Very Narrow Beam 4°+4° Medium Beam 14°+14° Wide Beam 23°+23°

Ordering Information

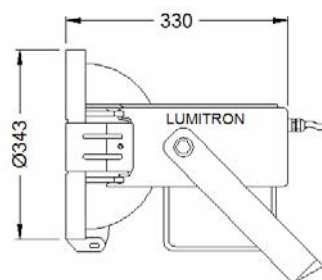
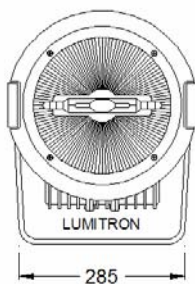
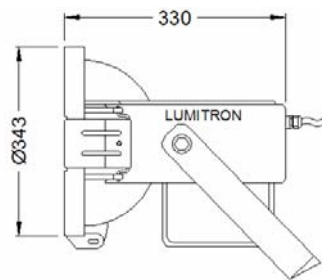
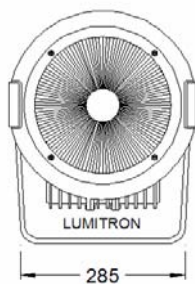
Lumitron Ref.	Lamp Type	Lumen	CCT. (K)	Base	Remark
CT-150HPS	HPS 150W	14,500	2,000	E40	Recheck lumen with lamp catalog.
CT-250HPS-T	HPS-T 250W	27,000	2,000	E40	
CT-400HPS-T	HPS-T 400W	48,000	2,000	E40	
CT-250HPS-DE	HPS-DE 250W	25,500	2,000	FC2	
CT-400HPS-DE	HPS-DE 400W	48,000	2,000	FC2	
CT-250MH-T	MH-T 250W	21,000	4,000-5,200	E40	
CT-400MH-T	MH-T 400W	36,000	4,000-5,200	E40	
CT-250MH-DE	MH-DE 250W	20,000	3,000-5,100	FC2	
CT-400MH-DE	MH-DE 400W	36,000	4,200-5,200	FC2	

Decorative Floodlight

Contour Series, Decorative Floodlight

Spector
lighting technics

LUMITRON



Color Filters