

VERSALUX - 4

150-400W Floodlight Luminaires - IP 65
Wide / Narrow: Symmetrical, Asymmetrical

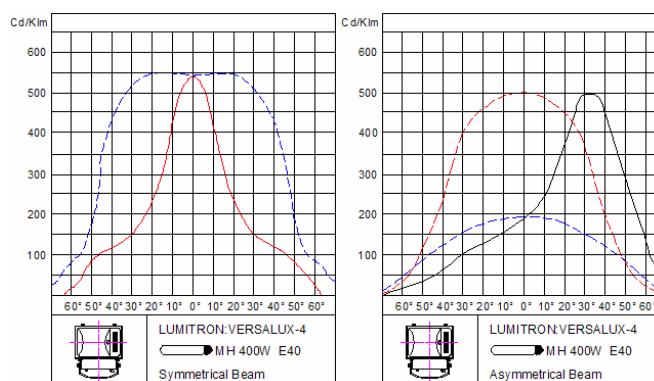
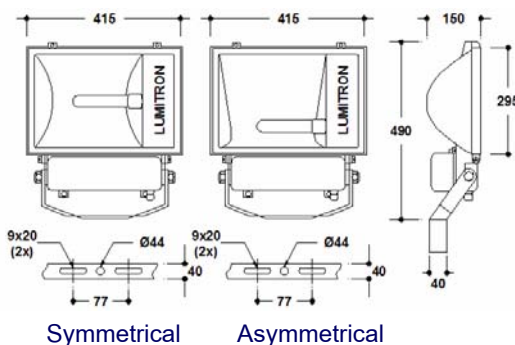
A discharge floodlight luminaire-wide beam symmetric or narrow / wide asymmetrical light distribution. Lumitron's Versalux-4, is ideal for industrial exteriors and commercial interiors, signages, car parks, sports facilities, factories, shipping yards, loading areas, construction sites.

Specifications

- Housing: corrosion resistant die cast aluminium alloy body construction completely dust-tight and jet-proof, IP65.
- Colour: UV-stabilized polyester powder coat finish in black. Other color available on request.
 - ❑ -WH: white color
 - ❑ -BK: black color
- Reflector: high purity anodized aluminium reflector chemically brighten providing wide beam distribution.
- Lens Assembly: thermal shock resistant safety glass in aluminium frame, stainless steel screws, durable silicone rubber gasket.
- Control Gear: built-in type, HPF system accommodates ballast, ignitor, capacitor and 5kV pulse lampholder VDE approved.
- Lumitron offers only anti-cycling ignitor, super-posed versions to avoid ballast failures during ends of lamp life.
- Wiring: high temperature cable and high voltage pulse cable where applicable.
- Standards and Conformities: IP65 dust-tight and jet-proof Conforming to DIN, VDE, IEC598-2-3-1993, Class I Electrical.
- Installation/Mounting: pole mounting or wall mounting with u-shape bracket. Cable gland PG 13.5 for cable entry of 7.5–13.5mm o/d cable connection.

Accessories (add suffixes to Lumitron Ref.)

- ❑ -VL-VSL4: Vertical louver
- ❑ -HL-VSL4: Horizontal louver
- ❑ -GS-VSL4: Glare shield, barn door
- ❑ -CF: Colour filters: Blue, Red, Yellow, and Green



Ordering Information

Lumitron Ref.	Lamp Type	Lumen	CCT. (K)	Base	Remark
VSL-4-250MV	MV 250W	13,000	4,000	E40	Add suffixes to Lumitron Ref.
VSL-4-150HPS	HPS 150W	14,000	2,000	E40	❑ -WS: Wide Symmetric
VSL-4-250HPS	HPS 250W	27,000	2,000	E40	❑ -WA: Wide Asymmetric
VSL-4-400HPS	HPS 400W	48,000	2,000	E40	❑ -NS: Narrow Symmetric
VSL-4-250MH	MH 250W	21,000	4,000-5,200	E40	❑ -NA: Narrow Asymmetric
VSL-4-400MH	MH 400W	36,000	4,000-5,200	E40	