

## LM-SQB

### Low Bay & High-Bay - Prismatic Acrylic Refractor

Lumitron's LM-SQB Luminaire for low bay to high bay applications features prismatic acrylic deep drop lens offering uniform, symmetric wide light distribution, low glare. Ideal for many typical industrial applications, warehouses, general purpose areas, commercial and retail sites.

**Housing:** die cast aluminum housing with cooling fins to improve heat dissipation. Polyester powder finish for excellent corrosion and impact resistance.

- Heavy gauge adjustable bracket allows field-adjustable light distribution.

**Reflector:** high purity anodized aluminium reflector chemically brighten providing wide beam distribution.

**Refractor:** Prismatic Acrylic Deep Drop Lens.

**Adjustable Light Distribution:** wide beam and medium beam. By adjusting vertical position of lampholder.

**Lampholder:** porcelain E27, E40, 5 KV pulse rating on adjustable bracket.

**Control Gears:** Integral Control Gear. HPF core coils magnetic type, compensated with capacitors, super-imposed ignitor. CWA type is optional.

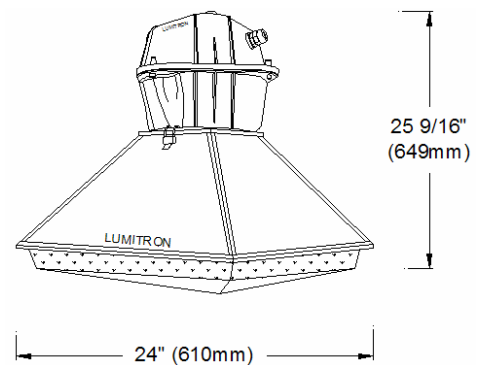
**Ambient Temperature:** suitable for ambient temperature 131°F (55°C).

**Standards and Conformities:** IP55 dust-proof and jet-proof. Conforming to DIN, VDE, IEC598-2-3, Class I Electrical.

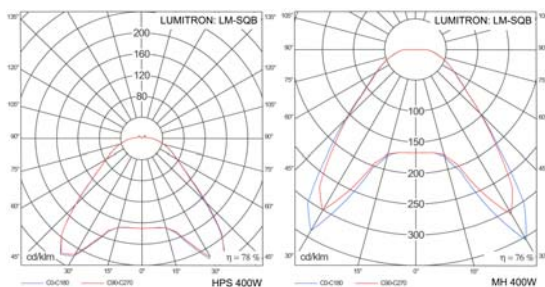
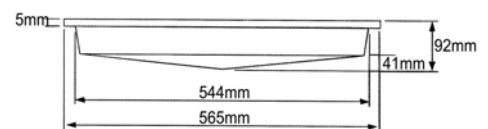
**Installation:** choices of mounting (shall be specified when ordering.)

-Pendant mount

-Recess mount



Recess Mount



### Ordering Information

Lumitron Ref.	Lamp Type	Lumen	Base	Remarks
LM-SQB-150HPS	HPS 150W	14,000	E40	Recheck lumen with lamp catalog.
LM-SQB-250HPS	HPS 250W	27,000	E40	Add suffixes to Lumitron Ref. for options
LM-SQB-400HPS	HPS 400W	48,000	E40	<input type="checkbox"/> -Q: auxiliary halogen lamp 150-250W
LM-SQB-150MH	MH 150W	14,250	E27	<input type="checkbox"/> -BL: bi-level switching for power conservation
LM-SQB-250MH	MH 250W	21,000	E40	<input type="checkbox"/> -CWA: Constant Wattage Autotransformer gear
LM-SQB-400MH	MH 400W	36,000	E40	
LM-SQB-400PSMH	PSMH 400W	44,000	E40	