

## LM-HBF

### Low Bay & High-Bay - Prismatic Acrylic Refractor

Lumitron's LM-HBF Luminaire for low bay to high bay applications features prismatic acrylic deep drop lens offering uniform, symmetric wide light distribution, low glare. Ideal for many typical industrial applications, warehouses, general purpose areas, commercial and retail sites.

**Housing:** die cast aluminum housing with cooling fins to improve heat dissipation. Polyester powder finish for excellent corrosion and impact resistance.

- Heavy gauge adjustable bracket allows field-adjustable light distribution.

**Reflector:** high purity anodized aluminium reflector chemically brighten providing wide beam distribution.

**Refractor:** Prismatic Acrylic Deep Drop Lens.

**Adjustable Light Distribution:** with choices of :

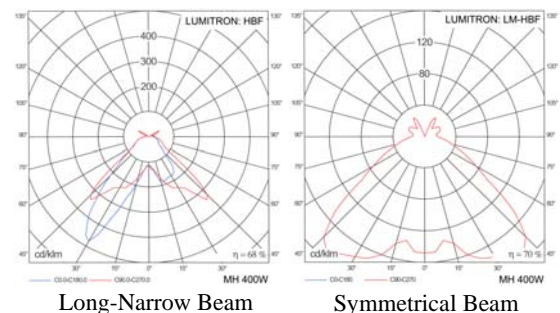
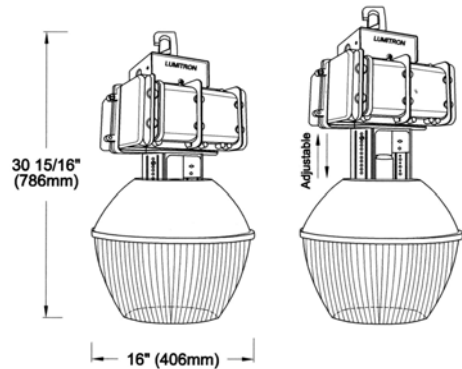
- OB1: Long / Narrow Beam, Open (150-400W)
- OB5: Symmetrical Beam, Open (150-400W)
- EB1: Long / Narrow Beam, Enclose (150-250W)
- EB5: Symmetrical Beam, Enclose (150-250W)

**Lampholder:** porcelain E27, E40, 5 KV pulse rating on adjustable bracket.

**Control Gears:** Integral Control Gear. HPF core coils magnetic type, compensated with capacitors, super-imposed ignitor. CWA type is optional.

**Ambient Temperature:** suitable for ambient temperature 131°F (55°C).

**Standards and Conformities:** IP54 dustproof and splash-proof. Conforming to DIN, VDE, IEC529 and IEC598, EN60598.2.2 (BS4533) Class I Electrical.



### Ordering Information

Lumitron Ref.	Lamp Type	Lumen	Base	Remarks
LM-HBF-250HPS	HPS 250W	25,000	E40	Recheck lumen with lamp catalog.
LM-HBF-400HPS	HPS 400W	48,000	E40	Add suffixes to Lumitron Ref. for options
LM-HBF-150MH	MH 150W	14,250	E27	<input type="checkbox"/> -Q: auxiliary halogen lamp 150-250W
LM-HBF-200PSMH	PSMH 200W	21,000	E40	<input type="checkbox"/> -BL: bi-level switching for power conservation
LM-HBF-250MH	MH 250W	21,000	E40	<input type="checkbox"/> -CWA: Constant Wattage Autotransformer gear
LM-HBF-250PSMH	PSMH 250W	26,300	E40	
LM-HBF-350PSMH	PSMH 350W	38,000	E40	
LM-HBF-400MH	MH 400W	36,000	E40	
LM-HBF-400PSMH	PSMH 400W	44,000	E40	