

LMLB-6

Low Bay - Enclosed Aluminium Reflector 30.7"

Luminaire for low bay to medium bay applications features an enclosed, large reflector 30.7" in diameter and prismatic lens offering uniform, low glare, symmetric wide light distribution. Lumitron's LMLB-6 is suitable for mounting height 4-7m whilst providing spacing criterion up to 2.0. Ideal for many typical industrial applications, warehouses, general purpose areas, commercial and retail sites.

Housing: heavy wall, two piece die cast aluminum housing with cooling fins to improve heat dissipation. White polyester powder finish for excellent corrosion and impact resistance.

- Heavy gauge adjustable bracket allows field-adjustable light distribution.
- Mounting devices with supplied hook, top box for conduit entries.

Reflector: precision spun, heavy gauge anodized aluminium reflector. Optional: with white powder-coated for increased corrosion resistance, improved abrasion protection and easy cleaning.

- AR: anodized aluminium reflector
- WR: white powder-coated aluminium reflector

Drop Lens: one piece, injection-molded virgin acrylic lens to soften and disperse light from the reflector. Polycarbonate lens for higher impact resistance available on request with suffix "-PCL". Held in piece with locking devices.

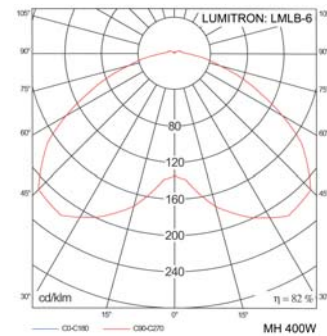
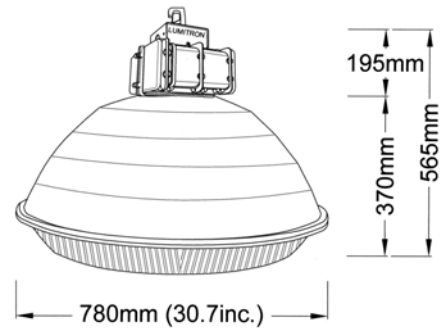
Adjustable Light Distribution: wide beam and medium beam. By adjusting vertical position of lampholder allows you to flexibly vary spacing-to-mounting height ratios.

Lampholder: porcelain E40, 5 KV pulse rating on adjustable bracket.

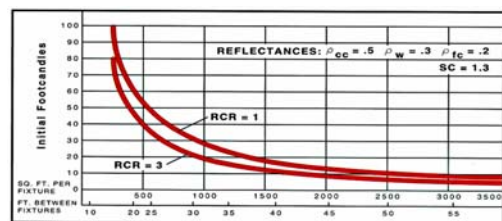
Control Gears: HPF core coils magnetic type, compensated with capacitors, super-imposed ignitor. CWA type is optional.

Ambient Temperature: suitable for ambient temperature 131°F (55°C).

Standards and Conformities: IP54 dustproof and splash-proof Conforming to DIN, VDE, IEC529 and IEC598, EN605982.2 (BS4533) Class I Electrical.



MH 400W Curve, Efficiency: 82.5% SC = 2.0



Ordering Information

Lumitron Ref.	Lamp Type	Lumen	Base	Remarks
LMLB-6-250MV	MV 250W	13,000	E40	Recheck lumen with lamp catalog.
LMLB-6-400MV	MV 400W	23,000	E40	Add suffixes to Lumitron Ref. for options
LMLB-6-150HPS	HPS 150W	14,000	E40	<input type="checkbox"/> -WR: white polyester powder-coated reflector
LMLB-6-250HPS	HPS 250W	26,000	E40	<input type="checkbox"/> -PCL: polycarbonate drop lens
LMLB-6-400HPS	HPS 400W	47,000	E40	<input type="checkbox"/> -IP65: IP 65 version
LMLB-6-250MH	MH 250W	20,000	E40	<input type="checkbox"/> -SSB: slide splice box for hook, cord, plug
LMLB-6-250PSMH	PSMH 250W	26,300	E40	<input type="checkbox"/> -CWA: constant wattage autotransformer gear
LMLB-6-400MH	MH 400W	36,000	E40	<input type="checkbox"/> -BL: bi-level switching for power conservation
LMLB-6-400SMH	Super MH 400W	40,000	E40	<input type="checkbox"/> -Q: auxiliary halogen lamp 100-250W
LMLB-6-400PSMH	PSMH 400W	44,000	E40	