

LMLB-1

Low Bay - Enclosed White Aluminium Reflector

Luminaire for low bay to medium bay applications features an enclosed, white reflector with prismatic lens offering uniform, low glare, wide light distribution. Suitable for mounting height 3-9m whilst providing spacing criterion of 1.6. Lumitron's LMLB-1, is applicable for specialized food processing areas. Ideal for many typical industrial applications, warehouses, aisles, general purpose areas, commercial and retail sites.

Housing: heavy wall, two piece die cast aluminum housing with cooling fins to improve heat dissipation. White polyester powder finish for excellent corrosion and impact resistance.

- Heavy gauge adjustable bracket allows field-adjustable light distribution.

Reflector: precision spun, heavy gauge aluminium reflector with white powder-coated for increased corrosion resistance, improved abrasion protection and easy cleaning.

Drop Lens: one piece, injection-molded virgin acrylic lens to soften and disperse light from the reflector. Polycarbonate lens for higher impact resistance available on request with suffix "-PCL".

Adjustable Light Distribution: wide beam and medium beam. By adjusting vertical position of lampholder allows you to flexibly vary spacing-to-mounting height ratios.

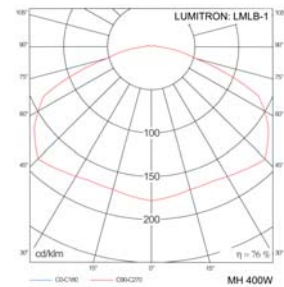
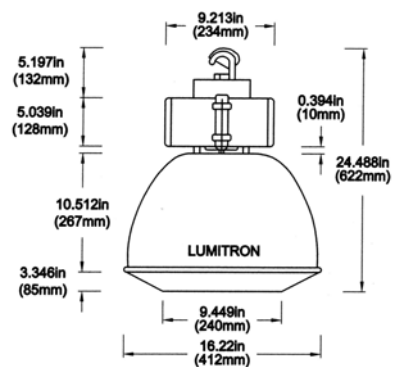
Lampholder: porcelain E27, E40, 5 KV pulse rating on adjustable bracket.

Control Gears: HPF core coils magnetic type, compensated with capacitors, super-imposed ignitor. CWA type is optional.

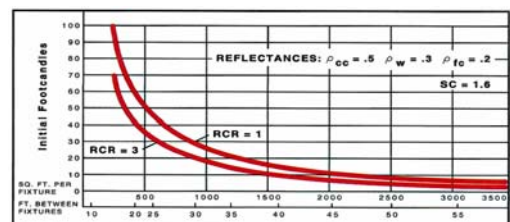
Ambient Temperature: suitable ambient temperature 104°F (40°C) for 400W units; and 131°F (55°C) for 250W and less. Higher temperature please consult with Lumitron.

Standards and Conformities: UL 1572 Listed, Damp Location applications. IP 52 per IEC529 and IEC598-2-3-1993.

IP 54 version available on request.



MH 400W Curve, Efficiency: 76.3% SC = 1.6



Ordering Information

Lumitron Ref.	Lamp Type	Lumen	Base	Remarks
LMLB-1-250MV	MV 250W	13,000	E40	Recheck lumen with lamp catalog.
LMLB-1-400MV	MV 400W	23,000	E40	Add suffixes to Lumitron Ref. for options
LMLB-1-150HPS	HPS 150W	14,000	E40	<input type="checkbox"/> -Q: auxiliary halogen lamp 100-250W
LMLB-1-250HPS	HPS 250W	26,000	E40	<input type="checkbox"/> -HR: hot re-strike unit
LMLB-1-400HPS	HPS 400W	47,000	E40	<input type="checkbox"/> -BL: bi-level switching for power conservation
LMLB-1-150MH	MH 150W	15,000	E27	<input type="checkbox"/> -CWA: Constant Wattage Autotransformer gear
LMLB-1-250MH	MH 250W	20,000	E40	<input type="checkbox"/> -SC1: suspension chain 1m
LMLB-1-400MH	MH 400W	36,000	E40	<input type="checkbox"/> -BL: bi-level switching for power conservation
LMLB-1-400SMH	Super MH 400W	44,000	E40	<input type="checkbox"/> -PCL: polycarbonate drop lens