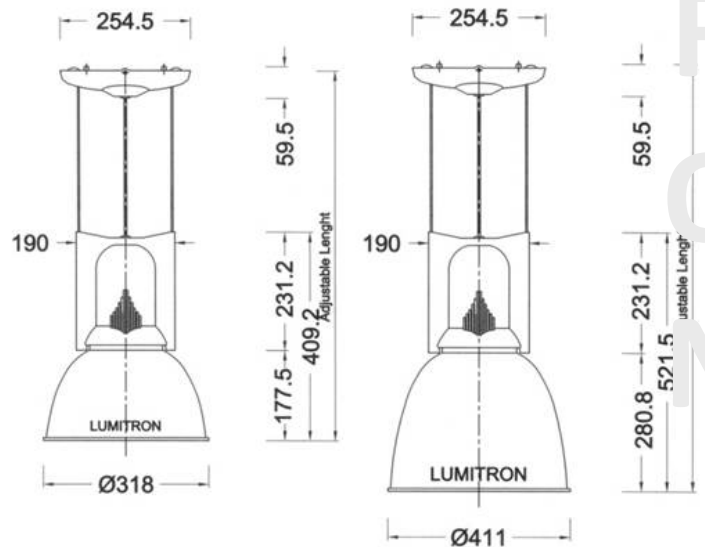


## Decorative Low Bay Luminaire

An aesthetically-pleasing design pendant luminaire especially for decorative interior applications. Lumitron's LMDLB-10 is suitable for compact fluorescent, mercury, metal halide lamp. Ideal for commercial lighting applications, residential projects, hotels, condominiums, homes, shopping arcades, and etc.

### Specifications

- Housing: die cast aluminum housing. polyester powder-coated finish in white, or silver aluminium color.
- Reflector: prismatic acrylic.
- Diffuser: heat resistant, frosted safety tempered glass.
- Suitable for interiors use.
- Lampholders: G24d-3, GX24q-3, GX24q-4, E27, E40.
- Lamp: PLE 15, 20, 23W, PLC 2x26W, PLT 32, 42, 2x32, 2x42W MV 80-125W, HPS 70-100W, MH 70-150W.
- Control gears: built-in type, accommodates ballast, ignitor, and P.F. correction capacitor. Lumitron offers only anti-cycling, superposed ignitor to avoid ballast failures during ends of lamp life.
- Wiring: heat resistant, high voltage cable where applicable.



LMDLB-10S, Small Size

LMDLB-10L, Large Size

Lumitron Ref.	Lamp Type	Lumen	Color Temp.	Base	Remark
LMDLB-10S (Small Size) LMDLB-10L (Large Size)	PLC 26W	1,800	2,700-4,000K	G24d-3	
	PLT 42W	3,200	2,700-4,000K	GX24q-4	
	PLT 2x42W	2x3,200	2,700-4,000K	GX24q-4	
	MV 125W	6,300	4,000K	E27	
	MH 70W	5,300	3,000-4,200K	E27	
	MH 100W	8,500	3,000-4,200K	E27	
	MH 150W	14,250	3,000-4,200K	E27	
LMDLB-10L (Large Size)	MH 250W	20,000	3,700-4,000	E40	