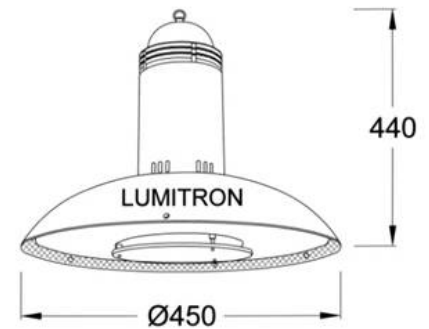


Decorative Low Bay Luminaire

An aesthetically-pleasing design pendant luminaire especially for decorative interior applications. Lumitron's LMDLB-9 is suitable for double-ended metal halide lamp 70-150W. Ideal for commercial lighting applications, residential projects, hotels, condominiums, homes, shopping arcades, and etc.

Specifications

- Housing: corrosion resistant aluminium.
- Diffuser: heat resistant, frosted safety tempered glass.
- Suitable for interiors use.
- Lampholders: RX7s.
- Lamp: MH-DE 70-150W.
- Integral Control Gear.
- Control gears: built-in type, accommodates ballast, ignitor, and P.F. correction capacitor. Lumitron offers only anti-cycling, superposed ignitor to avoid ballast failures during ends of lamp life.
- Wiring: heat resistant, high voltage cable where applicable.



L
U
M
I
T
R
O
N

Lumitron Ref.	Lamp Type	Lumens	Color Temp.	Base	Remark & Option
LMDLB-9-70MH-DE	MH-DE 70W	5,500	3,000-4,200K	RX7s	
LMDLB-9-150MH-DE	MH-DE 150W	11,250	3,000-4,200K	RX7s	