

Decorative Low Bay

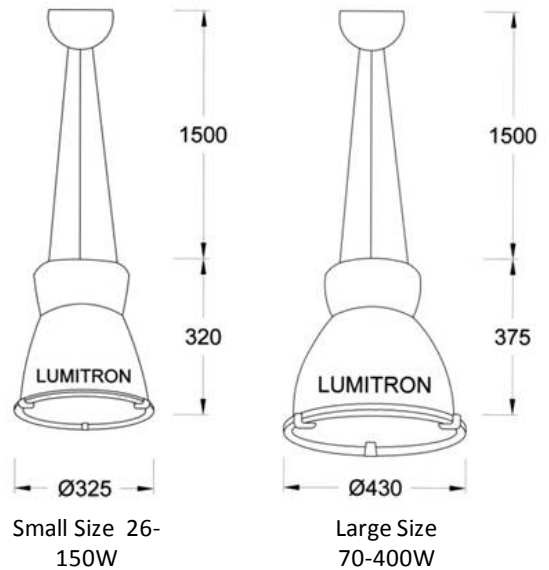
An aesthetically-pleasing design pendant luminaire especially for decorative interior applications. Lumitron's LMDLB-7 is suitable for metal halide lamp 70-400W. Ideal for commercial lighting applications, residential projects, hotels, condominiums, homes, shopping arcades, and etc.

Specifications

- Housing: corrosion resistant aluminium.
- High quality anodized aluminium reflector, wide beam light distribution to obtain high uniformity upon design criterions.
- Diffuser: heat resistant, frosted safety tempered glass.
- Suitable for interiors use.
- Lampholders: G24d, GX24q, E27, E40.
- Lamp: PLC 26W, PLT 42W, MH 70-400W.
- Control gears: built-in type, accommodates ballast, ignitor, and P.F. correction capacitor. Lumitron offers only anti-cycling, super-posed ignitor to avoid ballast failures during ends of lamp life.
- Wiring: heat resistant, high voltage cable where applicable.

Option: (add suffixes to Lumitron Ref.)

- CM:
- PM:
- SM:



LUMITRON REF.	Lamp	Lumen	Base
	PLC 26W	1,800	G24d
	PLT 42W	3,200	GX24q
LMDLB-7S (Small Size)	PLT 2x42W	2x3,200	GX24q
LMDLB-7L (Large Size)	MH 70W	5,300	E27
	MH 100W	8,500	E27
	MH 150W	14,250	E27
LMDLB-7L (Large Size)	MH 250W	20,000	E40
	MH 400W	36,000	E40