

A surface - mounted under canopy discharge luminaires, Lumitron's LBB, is ideal for industrial and commercial interiors. Lumitron offers high efficiency lighting solutions for any under canopy lighting applications, low- to medium- ceiling installations 3-8m, industrial facilities, cold room applications, applicable for indoor sport fields and commercial interiors.

Benefits include:-

- Cold Proof Feature: HID system specifically suitable for cold room applications up to -40° Celsius.

Specifications

Housing: die cast aluminum housing. Polyester powder finish for excellent corrosion and impact resistance.

Color: UV-stabilized polyester powder coat finish in Black RAL 9005 or White RAL 9003. Other color available on request.

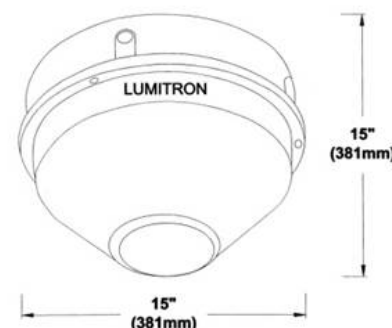
Reflector: anodized high purity aluminium reflector providing wide beam distribution.

Glass Diffuser: prismatic polycarbonate.

Lampholder: porcelain E27, 5 KV pulse rating on adjustable bracket.

Control Gear: Lumitron fixtures are standard with P.F corrected system, a modular separated tray, but integral part of main housing, accommodates ballast, super-imposed ignitor (cold room), capacitors and lampholder VDE approved.

Standards and Conformities: IP55, UL1572 Listed, Wet Locations



L
U
M
I
T
R
O
N

LUMITRON REF.	Lamp Type	Lumen	Color Temp	Base
LBB-2x42PLT	PLT 2x42W	2x3,200	2,700-4,000K	GX24q-4
LBB-70HPS	HPS 70W	5,300	2,000K	E27
LBB-70MH	MH 70W	5,600	3,200-4,000K	E27
LBB-100MH	MH 100W	8,500	3,200-4,000K	E27
LBB-150MH	MH 150W	14,250	3,200-4,000K	E27