

MCGRAW-EDISON®



PSL PARKING STRUCTURE LUMINAIRE

70 - 200 W

Metal Halide

Pulse Start Metal Halide

High Pressure Sodium

Electrodeless Fluorescent

BOROSILICATE GLASS

PARKING STRUCTURE

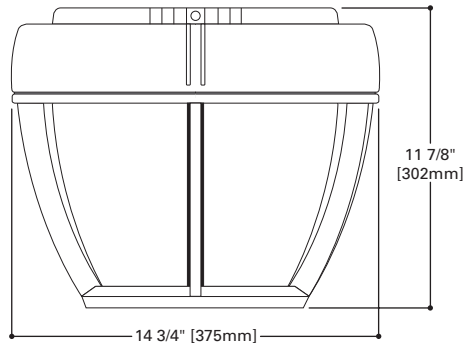
LUMINAIRE

- Formed aluminum flush draw-action latches offer easy access to lamp compartment without tools and maintain integrity of seal when closed
- HID—4KV pulse rated medium-base with nickel-plated screw shell
- HID—HPF, -20° starting Dual-Tap standard. For use with up to 175W Metal Halide lamp, 150W High Pressure Sodium or 85W QL Induction
- Molded tempered borosilicate glass refractor. Glass shock-absorbing system consists of 16 gauge steel ring to support the full round lens; the lens floats on the injection-molded silicone gasket for additional protection. Optional polycarbonate lens available
- Liquid injection-molded silicone gasket provides continuous seal between housing and refractor assembly
- U.L. listed and CSA certified for wet locations in all mounting positions; IP65 rated
- Approximate net weight: 34 lbs. (15 kgs.)

DESCRIPTION

The McGraw-Edison PSL Parking Structure Luminaire is a multi-purpose parking luminaire. The refractor provides proper 3D illumination for parking garages while the glare guard and light trespass shield add extra measure of visual comfort and control. The PSL improves drivers vision and pedestrian safety in parking garage facilities.

DIMENSIONS



ORDERING INFORMATION

SAMPLE NUMBER: PSL-175-MH-MT-WH

Product Family	Lamp Wattage	Lamp Type	Voltage	Color ⁶	Options & Accessories
PSL=Parking Structure Luminaire	70=70W 85=85W ¹ 100=100W 150=150W 175=175W 200=200W ²	MH=Metal Halide MP=Pulse Start Metal Halide ² HPS=High Pressure Sodium QL=Electrodeless Fluorescent ¹	120 208 240 277 480 MT=Multi-Tap wired 277V ³ TT=Triple-Tap wired 347V ⁴ DT=Dual-Tap wired 277V ⁵	WH=White AP=Grey BZ=Bronze BK=Black	(See Below)

Options (add as suffix)

F=Single Fuse (120, 277, 347V)⁷
 FF=Double Fuse (208, 240, 480V)⁷
 Q=Quartz Restrike (Hot Restrike Only)
 EM=Quartz Restrike with Time Delay (Strikes at cold start)
 EM/SC=Emergency Separate Circuit
 CT=Conduit Taps
 PL=Polycarbonate Lens (AccUView Inhibitor Applied)⁸
 TR=Tamper Proof

Accessories (order separately)

PSL/BGL-XX=Bird Guard⁹
 PSL/GG60=Glare Guard
 PSL/TM=Trunnion Mount Kit
 PSL/LTS-XX=Light Trespass Shield⁹
 L=Lamp Included¹⁰

NOTES: 1 85W QL Electrodeless Fluorescent only. 120 or 240V only. 2 200W MP only. 3 Multi-Tap 120/208/240/277V wired 277V. 4 Triple-Tap 120/277/347V wired 347V. 5 Dual-Tap 120/277V wired 277V. 6 Other finish colors available. Consult McGraw-Edison Architectural Colors brochure. 7 Must specify single voltage. 8 Maximum use of (2) GG60's or (2) LTS accessories when used with wattages in excess of 100W. 9 Must specify color on BGL and LTS accessories (Example: PSL/LTSWH). 10 Lamp is shipped separate from luminaire. Lamp is Cooper designated product based on luminaire requirements. Specified lamps must be ordered as a separate line item. 11 For complete product data, reference the McGraw-Edison Specification binder. 12 Specifications and dimensions subject to change without notice. 13 Products also available in non-US voltages and frequencies for international markets. 14 Consult your Cooper Lighting Representative for availability and ordering information.