

Starters

Starters

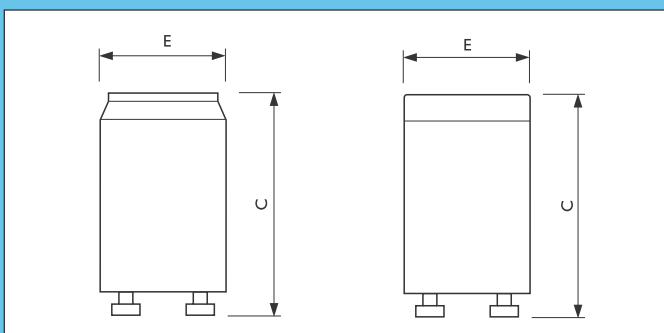


S10 Starter in blue transparent canister



S2 Starter in blue transparent canister

Dimensions in mm



Product Description

- Premium-quality glow switches range for igniting conventional electromagnetic fluorescent lamps
- 2-pin ignitor in plastic (flame-retardant polycarbonate) canister with radio-interference suppression capacitor
- S2 starters for ignition of low-voltage fluorescent TL lamps and series/single application in high voltage for lower wattages (4 - 22W)
- S10 starters for ignition of high voltage fluorescent TL lamps for wide range of wattages (4 - 65W)

Product Features

Green Starters

- Premium reliability with less than 100 early failures per million products (<100 ppm)
- Premium reliability with 10000 switches guaranteed
- No hazardous radioactive isotopes used for activating the glow switch
- Lead-free and compliant with European RoHS legislation (Reduction of Hazardous Substances)
- Secure, safe and fast ignition on both inductive (L) and capacitive (LC) lighting systems acc. to IEC 60155
- Controlled preheating of the lamp filaments and sufficient pulse voltage for longer lamp life (>25% compared with cheap starters)
- Canister shape designed for a better grip while installing and replacing the starter
- Green insulation plate to identify these lead-free and radioactive-free environment-friendly starters
- Different green printing for visual distinction between S2 and S10 (S2 = light green / S10 = dark green)

Performance Starters

- Premium reliability with less than 100 early failures per million products (<100 ppm)
- Premium reliability with 12000 switches guaranteed
- Secure, safe and fast ignition on both inductive (L) and capacitive (LC) lighting systems acc. to IEC 60155
- Controlled preheating of the lamp filaments and sufficient pulse voltage for longer lamp life (>25% compared with cheap starters)
- Canister shape designed for a better grip while installing and replacing the starter
- Blue insulation-free environment-friendly starters
- Special printing for visual distinction between S2 and S10

SIS10

- Reliable automatic disconnection of defective or end-of-life fluorescent lamps
- Cut-off circuit to protect the starter and overheating of the control gear
- Button with 3x restart function
- Premium reliability with 10000 safe switches
- Radioactive-free (patented) and lead-free (RoHS-compliant)
- 2-pin ignitor in plastic (flame-retardant polycarbonate) canister with radio-interference suppression capacitor

Product ID	Overall length	Overall length
	C max.	E max.
1	40.3	21.5
2	40.3	21.5

Product Benefits

- Premium quality ensures trouble-free operation
- Low maintenance costs through extremely low early replacement levels
- Secure, safe and fast lamp ignition according to IEC 155 international standard
- Flame-retardant components for additional safety
- The world's only starters with no radioactive material inside the glow switch while maintaining high quality performance; patented technology avoids hazardous substances in the manufacturing and recycling phases
- Redesigned canister top for easy installation; either with a screwdriver or through improved grip

Application

- Used in conventional electromagnetic fluorescent lamp systems
- S2 starters for LV applications and low-wattage HV applications (4 - 22W), both single and in series
- S10 starters for HV applications (4 - 65W) in single application
- S2 starters recommended for 18W HV single application
- Starter replacement recommended together with fluorescent lamp replacement
- For 220/240V~, 13W, single-application, the Philips S10 starter needs to be used.

Preferred selection

Product ID	Net Weight Per Piece (g)	Dimension No.	Photo Letter	System Description	Ambient Temperature min. (°C)
Performance Starters S2 4-22W SER 220-240V WH	7.00	1	C	Single+Series	-15
S10 4-22W SER 220-240V WH	7.00	1	D	Single	-20

Product ID	Ambient Temperature max. [°C]	Capacitor	Peak Voltage min. [V]	Peak Voltage max. [V]	Non Reclosure Voltage min. [V]
Performance Starters S2 4-22W SER 220-240V WH	75	Yes	800	1350	70
S10 4-22W SER 220-240V WH	80	Yes	900	1350	140

Note: Pls contact local Philips sales representative for packing unit details