

Capacitors



C8

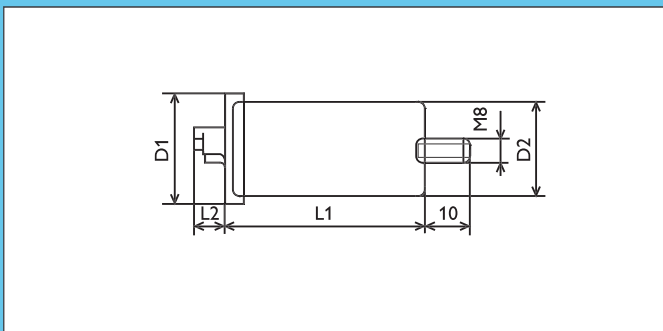
Typical application

Compensating capacitors are AC capacitors designed for individual correction of the power factor of transformers and magnetic ballasts in discharge lamps (e.g. fluorescent lamps, halogen and metal vapour lamps, high-pressure mercury vapour lamps, sodium lamps) in mains with a frequency of 50 or 60Hz. This allows for an improvement of the luminary's power factor to $\cos > 0.9$.

Reference standards

- GB 18489-2001
(eqv. IEC 61048-1999)
- GB/T 18504-2001
(eqv. IEC 61049-1991)
- Approval CQC Certificate

Dimensions in mm

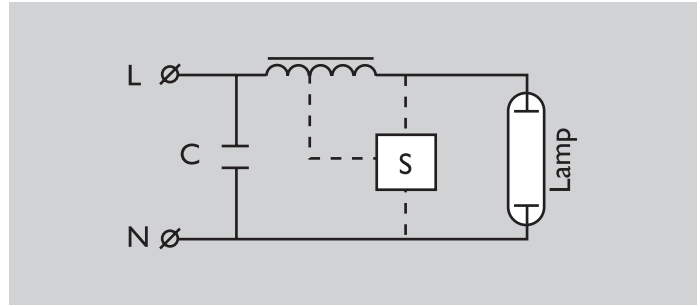


Product ID	Cap. (μF)	Overall length			
		D1 ± 1.0	D2 ± 1.0	L1 ± 3.0	L2 ± 3.0
CP04BN28	4	31	30	58	12
CP05BN28	5	31	30	58	12
CP06BQ28	6.5	31	30	68	12
CP08BQ28	8	31	30	68	12
CP010BQ28	10	31	30	68	12
CP012BQ28	12	31	30	73	12
CP15BU28	15	31	30	98	12
CP18CU28	18	31	30	98	12
CP20CU28	20	36	35	98	12
CA25ER28	25	41	40	98	12
CA30ET28	30	41	40	98	12
CA32ET28	32	41	40	89	12
CA50GV28	50	50	50	112	16

Capacitors for HID lamp circuits

General technical data

Rated voltage	250Vac 50/60Hz
Capacitance tolerance	+/-10% (+/-5% available on request)
Temperature range (Tmax on capacitor surface)	-40°C~85°C
Test class	40/85/10
Service Class	Continuous Type A (self-healing parallel capacitor)
Case	Plastic or Aluminum
Filling material	None, dry type
Limit values of relative humidity	65% annual means, 85% maximum value on 30 days, 75% on all other days
Condensation	Not permitted
Test voltage between terminals	500Vac, 10S
Test voltage between terminal to case	2000Vac, 60S
Max admitted voltage	275Vac
Nominal RMS current(In)	0.0785*Cn (μF, 50Hz), 0.0942*Cn (μF, 60Hz)
Max admitted RMS current	1.3*In
Safety Protection	IP00
Terminals	Push in connector
Connect wire	Insulated rigid leads 0.5~1.0mm ² , approx. 6~7mm of insulation should be stripped from the wires
Dielectric	Polypropylene film
Plates	Self-healing metal layer
Mounting	M8 stud mounting
Permitted torque of mounting stud M8	4Nm
Max altitude	2200m



Ordering and packing data

Type	Single unit		Carton packing		
	Housing	Weight net kg	Qty. pcs	Dimensions l x w x h cm	Weight gross kg
CP04BN28LR	Plastic	0.078	192	40 x 25 x 30	15
CP05BN28LR	Plastic	0.078	192	40 x 25 x 30	15
CP06BQ28LR	Plastic	0.078	192	40 x 25 x 30	15
CP08BQ28LR	Plastic	0.078	192	40 x 25 x 30	15
CP10BQ28LR	Plastic	0.078	192	40 x 25 x 30	15
CP12BQ28LR	Plastic	0.078	192	40 x 25 x 30	15
CP15BU28LR	Plastic	0.104	144	40 x 25 x 30	15
CP18CU28LR	Plastic	0.104	144	40 x 25 x 30	15
CP20CU28LR	Plastic	0.104	144	40 x 25 x 30	15
CP25ER28LR	Plastic	0.156	96	40 x 25 x 30	15
CP30ET28LR	Plastic	0.156	96	40 x 25 x 30	15
CP32ET28LR	Plastic	0.156	96	40 x 25 x 30	15
CP37ET28LR	Plastic	0.156	96	40 x 25 x 30	15
CP50ET28LR	Plastic	0.211	64	40 x 25 x 30	13.5
CP45ET28LR	Plastic	0.211	64	40 x 25 x 30	13.5