

## Electromagnetic



HID-Basic BHL

## HID-Parallel ballasts for HPL and HPI (PLUS) lamps

### Definition

Impregnated (HID standard) electromagnetic ballasts, of copper/iron construction, for use in combination with an external ignitor, for HID lamps.

### Description

- Orthocyclic winding process results in limited ballast coil volume and reduced weight, with minimum watt losses.
- Ballasts standard equipped with screw terminal blocks
- Simple installation and cabling.

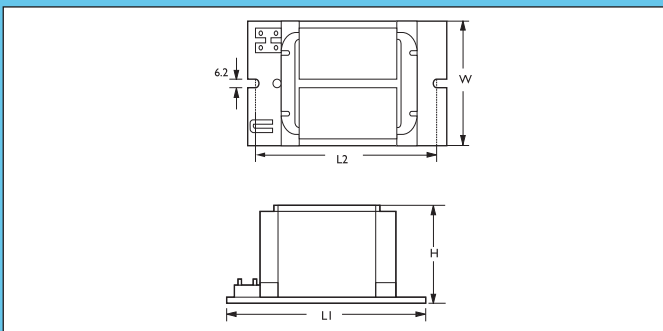
### Applications

- For application with HPL, HPI and HPI (plus) lamps such as: industry lighting, flood lighting, sports lighting, shop lighting, public lighting, road lighting
- HID basic ballasts should be restricted to built-in situations where relative humid is limited.

### Compliances and approvals

- Safety EN 60922
- Performance EN 60923
- Quality standard ISO 9001
- Environmental standard ISO 14001
- CE, CCC marking

Dimensions in mm



Product ID	Overall length			
	L1 max.	L2 max.	W max.	H max.
BHL 80W	117	98	57.1	51.5
BHL 125W	117	102	57.1	51.5
BHL 250W	125	110	75.5	64.5
BHL 400W	150	135	75.5	64.5

### Preferred selection

#### Data valid for typical lamps

Ballast	For lamps	Ignitor	Mains voltage/freq. V/Hz	Without PF Correction		With PF Correction			Ballast Losses W	Tw=130C ΔT °C	Wiring diagram Fig.
				Current Nom A	cos φ	Cap. uF/VA	Mains Max.	Current Nom. A			
BHL 80L200	HPL 80 W	N.A.	220/50	0.8	0.50	8/250	0.65	0.45	11.0	60	1
BHL 125L200	HPL 125W	N.A.	220/50	1.15	0.55	10/250	1.1	0.7	12.2	70	1
BHL 250L200	HPL 250W	N.A.	220/50	2.13	0.55	18/250	2.2	1.35	17.0	65	1
BHL 400L200	HPI 250W	SI51	220/50	2.15	0.55	18/250	2.2	1.35	17.0	65	2
	HPL 400W	N.A.	220/50	3.25	0.60	25/250	3.9	2.15	21.8	70	1
	HPI 400W	SI51	220/50	3.40	0.55	28/250	3.9	2.15	23.8	75	2

Wiring diagram

Fig. 1

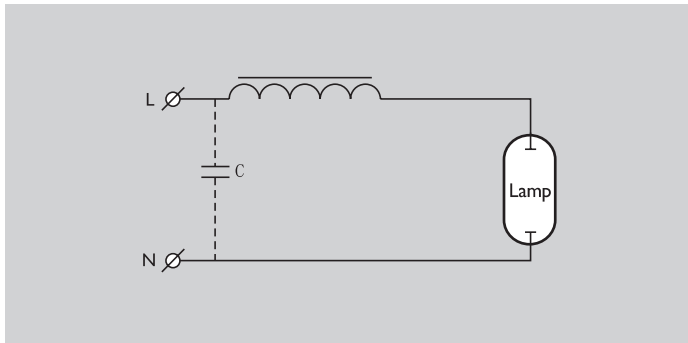
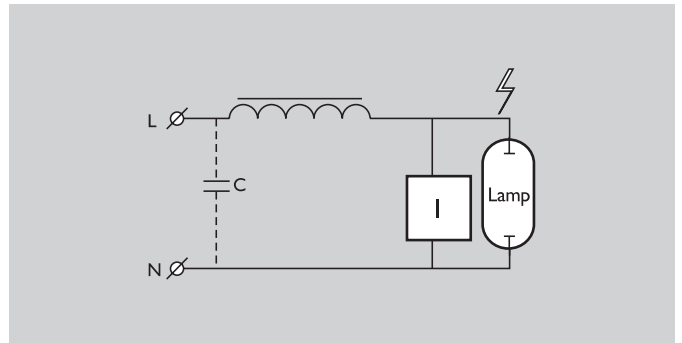


Fig. 2



For full information on ignitors mentioned, please refer to separate product data sheet.

### Ordering and packing data

Ballast	Single unit Weight net kg	Carton packing			Qty. per pallet pcs
		Qty. pcs	Dimensions l x w x h cm	Weight gross kg	
BHL 80L200	0.9	6	20.0 x 13.0 x 11.0	5.5	630
BHL 125L200	1.2	6	21.0 x 14.8 x 14.2	7.5	630
BHL 250L200	1.85	6	26.0 x 15.0 x 16.6	11.5	504
BHL 400L200	2.9	6	26.0 x 17.5 x 16.6	17.8	288