

HID-Basic Semi-Parallel ballasts for SON/CDM/MHN

Electromagnetic



BSN/BMH

Definition

Impregnated (HID standard) electromagnetic ballasts, of copper/iron construction, for use in combination with an external ignitor; for HID lamps.

Description

- Orthocyclic winding process results in limited ballast coil volume and reduced weight, with minimum watt losses.
- Ballasts standard equipped with screw terminal blocks
- Earthing while-mounting facility (HID Standard ballasts)
- Simple installation and cabling.

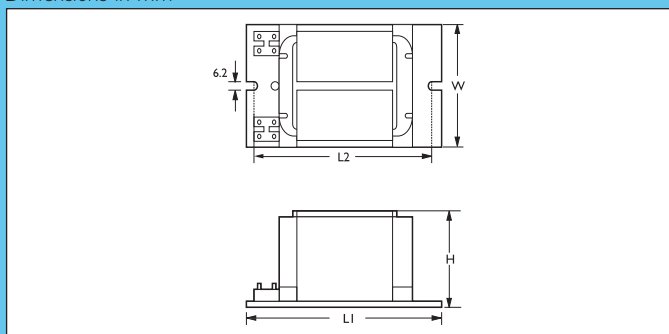
Applications

- For application with SON, HPI (PLUS) which are used in road lighting, public lighting, industry lighting
- For application with MHN/CDM lamps which are used on shop lighting, exhibition, lobby, city beautification lighting.
- HID basic ballasts should be restricted to built-in situations where relative humid is limited.

Compliances and approvals

- Safety EN 60922
- Performance EN 60923
- Quality standard ISO 9001
- Environmental standard ISO 14001
- CE, CCC marking

Dimensions in mm



Product ID	Overall length			
	L1 max.	L2 max.	W max.	H max.
BMH 35W, 70W	117	102	57.1	51.5
BSN 70W, 100W	117	102	61.0	52.0
BSN 150W	125	110	75.5	64.5
BSN 250W	150	135	75.5	64.5
BSN 400W	170	161	96.5	82.0

Preferred selection

Data valid for typical lamps

Ballast	For lamps	Ignitor	Mains voltage/freq. V/Hz	Without PF Correction		With PF Correction			Ballast Losses W	Tw=130C ΔT °C
				Current	cos φ	Cap.	Mains	Current		
				Nom A		uF/V	Max. A	Nom. A		
BMH35L302ITS	CDM 35W	SN58(T15)	230/50	0.53	0.40	6/250	0.55	0.24	8.1	55
BSN70L300I	SON 70W	SN57	220/50	0.98	0.40	12/250	0.60	0.45	13.5	75
BSN70L300ITS	SON 70W	SN57	220/50	0.98	0.40	12/250	0.60	0.45	13.5	75
BMH70L302ITS	CDM 70W	SN58(T15)	230/50	0.98	0.35	12/250	0.60	0.45	12.8	70
	MHN 70W	SN58(T15)								
BSN100L300I	SON 100W	SN58(T5)	220/50	1.20	0.45	12/250	0.90	0.60	13.9	70
BSN100L300ITS	SON 100W	SN58(T5)	220/50	1.20	0.45	12/250	0.90	0.60	13.9	70
BSN150L300I	SON 150W	SN58(T5)	220/50	1.80	0.45	18/250	1.20	0.85	16.3	70
BSN150L302ITS	SON 150W	SN58(T5)	230/50	1.80	0.40	18/250	1.20	0.85	17.0	70
	CDM 150W	SN58(T15)								
	MHN 150W	SN58(T15)								
BSN250L300I	SON 250W	SN58(T5)	220/50	3.00	0.45	32/250	2.30	1.40	22.2	70
	HPI-Plus 250W	SN58	220/50	t.b.a.	0.45	32/250	2.30	1.40	22.2	t.b.a.
BSN400L300I	SON 400W	SN58(T5)	220/50	4.45	0.40	50/250	3.60	2.40	26.5	65
	HPI-Plus 400W	SN58	220/50	t.b.a.	0.45	50/250	3.60	2.40	26.5	t.b.a.