

Electronics

HF-Performer PL-L



HF-P



HF-P

Product description

- Compact, lightweight, High Frequency electronic ballasts for PL-L compact fluorescent 18 W and 24 W lamps

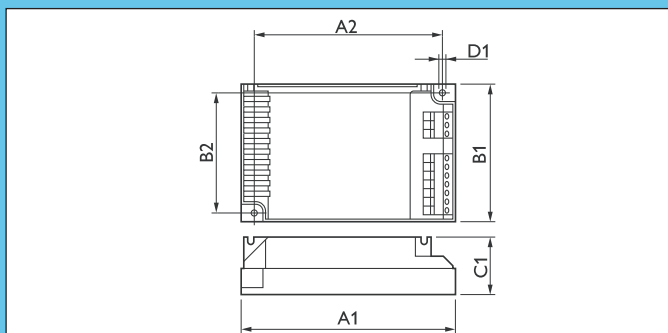
Features and benefits

- Programmed start: flicker-free, warm-start circuit
- 50% longer lamp life than with conventional ballasts
- Up to 25% energy saving at constant luminous flux compared with conventional ballasts
- Constant light independent of mains voltage fluctuations
- Protected against excessive mains voltages
- Automatic stop circuit (safety stop) is activated within 5 seconds in case of lamp failure; ballast resets automatically after lamp replacement

Applications

- Ideal for applications with high switching frequency, for example:
 - Use with infrared remote control systems (e.g. movement detection)
 - Department stores, shops, supermarkets, hotels, hospitals, office buildings, industrial premises
 - Airports, railway stations
 - Outdoor lighting; in general suitable for Class I applications
 - Suitable for installations with emergency back-up according to VDE 0108-100 / EN 60598-2-22 with re-ignition <0.5 s

Dimensions in mm



Product ID	A1	A2	B1	B2	C1	D1
1 lamp	103	93.5	67	57.5	30	4.5
2 lamps	123	111	79	67	33	4.5

Preferred selection

Product ID	Cable-Cap outputwires to earth [pF]	Celma classification	Length A1 [mm]	Automatic restart	Weight (kg)	Fixing Hole Distance A2 Length [mm]	CE declaration	Cable-Cap outputwires mutual [pF]	Battery voltage running lamps [V]	Number of Lamps [x]
HF-Performer 2 18-24 PL-L 220-240V 50/60Hz	100	A2	123.0	Yes	0.19	111.0	Yes	100	176-254	2

Product ID	Battery voltage lamp ignition [V]	ENEC certificate	Constant wattage deviation	T-case life [°C]	T-case maximum [°C]	Rated Lamptype	Width B1 [mm]	Fixing Hole Distance B2 Width [mm]	Conn.type input terminals	VDE-EMV certificate	Conn.type output terminals
HF-Performer 2 18-24 PL-L 220-240V 50/60Hz	198-254	Yes	-2%/+2%	75	75	PL-L	79.0	67.0	Insert	No	Insert

Product ID	Inrush current Peak [A]	Height C1 [mm]	Inrush current Width [ms]	Earth leakage current [mA]	Dual fixture Master/Slave	Max. cable length Device/Lamp [m]	Humidity conditions	Maximum ballast number on MCB [x]	Fixing Hole Diameter D1 [mm]	Mains voltage performance (AC)	Strip Length [mm]
HF-Performer 2 18-24 PL-L 220-240V 50/60Hz	31	33.0	0.35	0.5	No	1	Yes	12	4.5	-8%/+6%	7.5-8.5

Product ID	Mains voltage safety (AC)	Bump test	Vibration conditions	Wcs Input terminals [mm≤]	Operating frequency [kHz]	Wcs Output terminals [mm≤]	Overvoltage protection 320Vac [h]	Overvoltage protection 350Vac [h]	PowerFactor 100% output power
HF-Performer 2 18-24 PL-L 220-240V 50/60Hz	-10%/+10%	IEC 68-2-29 Eb	IEC 68-2-6 Fc	0.75-1.50	48	0.75-1.50	48	2	0.93

Product ID	Power losses gear [W]	Preheat time [s]	EOC	Line Frequency [Hz]	Line Voltage [V]	Rated Ballast-Lamp Power	Number of Lamps X Ballast Power	Packaging Configuration	Packaging Type
HF-Performer 2 18-24 PL-L 220-240V 50/60Hz	7.0	0.8	74970330	50/60	220-240	18-24	2 18-24	36	UNP

